

Beaverstate Dental, Inc.

2007 2008
PRODUCT CATALOG



BEAVERSTATE DENTAL, INC.

EFFECTIVE **A**UGUST **1** ST

WARRANTY:

Beaverstate Dental warrants its product to be free of defects in material and workmanship for FIVE FULL YEARS from the date of purchase on all units and a TWO YEAR warranty on the Evolution-3 Chair. Auto-blocks and standard foot control (126-000) are covered by a LIFETIME warranty when factory installed as part of a complete dental system. Warranty is limited to repair or replacement by Beaverstate Dental. Products returned to the factory and determined to be defective will be repaired or replaced free of charge. The warranty does not cover light bulbs. Beaverstate Dental reserves the right to void all warranties if any product is installed by other than an authorized technician. Beaverstate's warranty does not cover damage to any surface finish, including but not limited to, discoloration or abrasion from cleaners, disinfectants or light sources. No claim for labor or consequential damages will be allowed. Return items must include a copy of the invoice or packing slip as proof of purchase.

SHIPPING:

All prices are F.O.B. Newberg Oregon, U.S.A.
Standard shipping will be by UPS ground. Air or expedited service is available upon request.

TERMS:

Net 30 days, with approved credit. A 1-1/2% interest charge may be applied to past due accounts.

RETURNED MERCHANDISE:

Merchandise may not be returned without prior authorization. Shipping must be prepaid. A restocking fee of \$5.00 or 10%, whichever is greater, may be charged for non-warranty related merchandise returns. Call our customer service to obtain an authorization number and additional return information. No returns on custom or special order items, including non-standard upholstery colors, will be accepted. Any shortages in shipment must be filed with Beaverstate Dental within 5 working days of receipt of shipment. Claims for items damaged in transit must be filed directly with the carrier.

CUSTOMER SERVICE:

Available Monday thru Friday, 6:30 AM to 4:30 PM, Pacific Standard Time.

Look for this symbol indicating new items to our product line.



115 S. ELLIOTT RD.
NEWBERG, OREGON 97132 U.S.A.

BEAVERSTATE DENTAL, INC.



RICK WHITMAN
PRESIDENT



PAM LAWRENCE
CUSTOMER SERVICE



ANGELA CRETSINGER
GRAPHICS

115 S. ELLIOTT RD.
NEWBERG, OR 97132 U.S.A
800-237-2303



CHUCK WHISMAN
VICE PRESIDENT
SALES & MARKETING



AARON BRITTON
GENERAL MANAGER



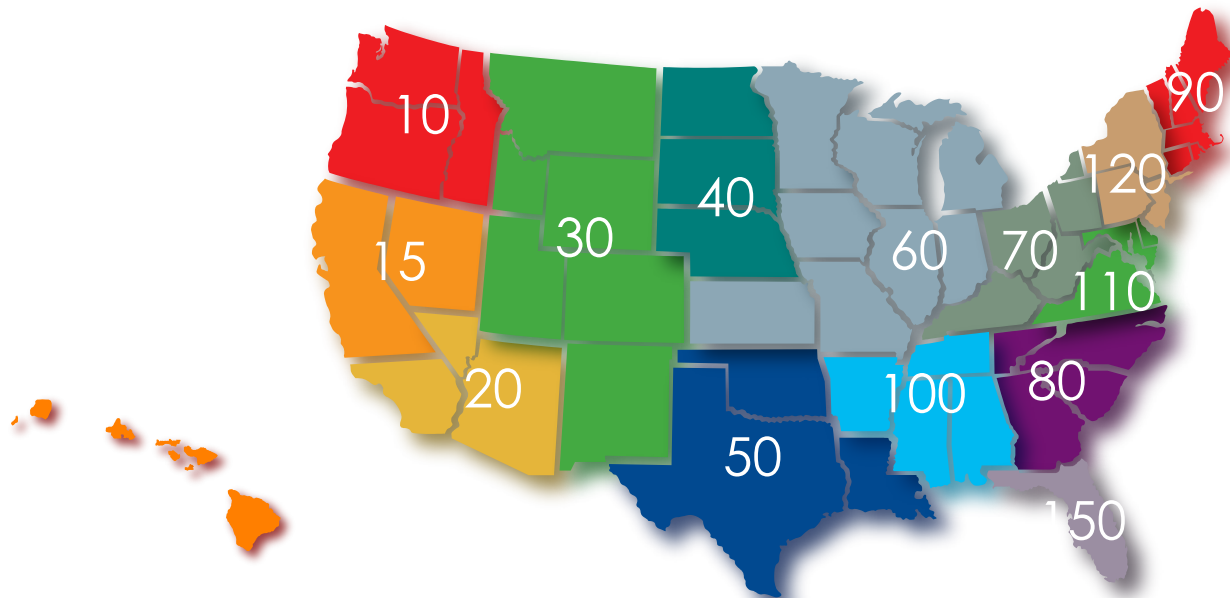
MISSION STATEMENT

TO PRODUCE SIMPLE, DURABLE DESIGNS THAT ALLOW AMERICAN QUALITY TO BE AFFORDABLE TO EVERYONE.

TO BE TOTALLY ACCOUNTABLE FOR THE SERVICE AND SUPPORT OUR CUSTOMERS WANT AND DESERVE.

SEEK TO SERVE CUSTOMERS BY FORMING LONG TERM, MUTUALLY PROFITABLE RELATIONSHIPS WITH AGGRESSIVE, SERVICE MINDED, FULL SERVICE DEALERS.

TERRITORY MANAGERS



Territory 10

Oregon, Washington & Western Idaho
Ferdie Matos
 567 S. Broad St.
 Monmouth, OR 97361
 888-282-7170 Business
 503-838-4577 Home
 503-838-2389 Fax
 email: ferdiem@juno.com

Territory 40

North Dakota, South Dakota & Nebraska
Call Beaverstate Customer Service @ 800-237-2303

Territory 80

North Carolina, South Carolina, Georgia & Eastern Tennessee
Annemarie Humm
 410 Hidden Lakes Lane
 Waterloo, SC 29384
 864-998-9232 Office
 864-998-9234 Fax
 email: annemarie.humm@noschigroup.com

Territory 120

New York (except Buffalo & Rochester), New Jersey & Eastern Pennsylvania
Ed Snyder
 3 Hunts Mill Rd.
 Clinton, NJ 08809
 800-865-1505
 908-334-7235 Mobile
 908-730-7756 Fax
 email: snyed@aol.com

Territory 15

Northern California, Hawaii & Nevada (Reno/Sparks only)
Call Beaverstate Customer Service @ 800-237-2303

Territory 50

Texas, Oklahoma & Louisiana
Merv Tonkin
 6310 Trailway Lane
 Spring, TX 77379
 832-264-3390 Mobile
 281-376-6548 Phone/Fax
 email: merv@tonkindental.com
 www.tonkindental.com

Territory 90

Maine, Connecticut, Rhode Island, New Hampshire & Massachusetts & Vermont
Call Beaverstate Customer Service @ 800-237-2303

Territory 125

British Columbia, Alberta, Saskatchewan & Manitoba
Denis Schmelefske
 6573 121A St.
 Surrey, BC V3W 1C6
 Canada
 604-808-3025 Mobile
 604-594-3017 Fax
 e-mail: dnsd@shaw.ca

Territory 20

Southern California, Arizona & Nevada (Las Vegas only)
Bob Doling
 20200 Allentown Dr.
 Woodland Hills, CA 91364
 818-224-3322 Phone
 818-224-3332 Fax
 email: bobdoling@sbcglobal.net

Territory 60

Illinois, Indiana, Michigan, Missouri, Wisconsin, Minnesota, Iowa, Kansas City/Lenexa, Kansas
Vinton & Associates
 12778 Woodgrove Dr.
 Huntley, IL 60142
 847-927-3945 Mobile
 847-659-9156 Fax
 email: info@vintonandassociates.com
 www.vintonandassociates.com

Territory 100

Arkansas, Alabama, Western Tennessee & Mississippi
Rich Pascoe
 150 Marseille Dr.
 Maumelle, AR 72113
 501-680-6937 Mobile
 501-217-9341
 501-851-1282 Fax
 email: R1Pas@aol.com

Territory 130

Ontario, Quebec & Maritimes
Larry Girard
 976 rue Champetre
 St-Jerome, Quebec J5L 1H4
 Canada
 514-830-8373 Mobile
 email: larrygirard@videotron.ca

Territory 30

Wyoming, Colorado, Montana, Eastern Idaho, Utah & New Mexico
Randy Steinbach
 661 Clark Rd.
 Bailey, CO 80421
 303-838-2188
 303-838-2186 Fax
 email: rsteinbach5@juno.com

Territory 70

Western Pennsylvania, Ohio, Kentucky, West Virginia & New York (Buffalo & Rochester only)
Rich Johnston
 171 Brookmeade Dr.
 Pittsburgh, PA 15237-1709
 412-364-2325 Phone
 412-369-8588 Fax
 email: richjohnston@verizon.net

Territory 110

Maryland, Delaware, Virginia & Washington D.C.
Jeff Haller
 316 Colonel Dr.
 Highland Springs, VA 23075
 804-328-0736 Phone
 804-328-0007 Fax
 email: jehaller@erols.com

Territory 150

Florida
Larry Bernys
 4381 S. Atlantic Ave. #704
 New Smyrna Beach, FL 32169
 386-409-0340 Phone
 386-453-8544 Mobile
 386-409-0340 Fax
 email: larrybernys@cs.com

TABLE OF CONTENTS

Territory Managers	2	Arm Systems.....	67
Table of Contents.....	3	Arms and Brackets.....	68
Chemical and Disinfection Guidelines	4	Mounts and Bushings.....	69
Operatories		Shelves and Trays	70
Helix Operatory System	5	Vacuum Kits	71
Northwest Operatory System.....	6	Vacuum Kits	72
Evergreen Operatory System	7	Vacuum Accessories	73
Columbia Operatory System.....	8	Vacuum Accessories	74
Sierra Operatory System.....	9	Vacuum Accessories	75
Mt. Hood Operatory System	10	Vacuum Accessories and Switches	76
McKenzie Operatory System	11	Handpiece Holders.....	77
'Evolution 3' Operatory Chair.....	12	Handpiece Holders.....	78
Units		Holder Bars and Auto-blocks	79
Over the Patient Systems.....	14	Valves	80
Over the Patient Systems.....	16	Valves	81
Over the Patient Systems.....	18	Syringes	82
Over The Patient Systems	20	Syringes	83
Over The Patient Systems	22	Utility Center and Master Valves	84
Hygiene Systems	24	Water Bottle Systems	85
Beneath Shelf Systems.....	26	Water Bottle Accessories	86
Cabinet Mounted Systems	28	Foot Controls	87
Cabinet Mounted Systems	30	Handpiece Tubing & Connectors.....	88
Cabinet Mounted Systems	32	Syringe and Foot Control Tubing.....	89
Rear Delivery Systems.....	34	Supply and Vacuum Tubing	90
Rear Delivery Systems	36	Handpiece Illumintation	91
Cart Systems	38	Handpiece Illumination.....	92
Cart Systems	40	Fittings.....	93
Cart Systems	42	Fittings and Quick Disconnects	94
Cart Systems	44	Filters	95
Cart Systems	46	Cart Accessories	96
Handpiece Control Heads	48	Celux Light	97
Wall Mount Handpiece Controls.....	50	Posts and Accessories	98
Wall Mount Handpiece Controls.....	52	Chair Adapters and Cuspidor Accessories.....	99
Wall Mount Handpiece Controls.....	54	Gauges and Service Items	100
Panel Mount Handpiece Controls	56	O-rings	101
Cuspidors and Miscellaneous		Unit Weights and Measurements	102
Cuspidors	58	Index.....	103
Vacuum Arm Systems.....	60	Index.....	104
Vacuum Arm Systems.....	62	Index.....	105
Operatory Light and Stools.....	64	Upholstery Color Selection Guide.....	106
Amdent Ultrasonic Scaler	66	Upholstery Color Selection Guide.....	107
Components		Notes	108

CHEMICAL AND DISINFECTION GUIDELINES

Beaverstate Dental makes no representation as to the disinfection efficacy of any disinfectant product. Questions regarding product efficacy should be directed to the specific manufacturer of that product. We make no warranty expressed or implied regarding any damage resulting from the use of any disinfectant. Damage and/or discoloration of any surface is not covered by our warranty.

There are many products and techniques for infection control that are presently available on the market.

The **BARRIER TECHNIQUE METHOD** has proved to be effective in the preservation of the surface finish and appearance of your new equipment. Disposable barrier products should be used and changed between each patient. Consult your full service dental dealer for information regarding disposable barrier products.

The **CHEMICAL DISINFECTION METHOD** is an effective means of disinfection, but care is needed in the mixing and use of the products. To minimize the accumulation of chemical residues on your new equipment, you must wash your equipment daily with a solution of warm water and mild soap. When mixing any cleaning or disinfecting chemical product, care should be taken to follow the manufacturers instructions regarding mixing and use. If recommended ratios of dilution are not followed, non-damaging chemical may become corrosive and damage surface finishes. Consult your full service dental dealer for information regarding chemical disinfecting and cleaning products.

Non Acceptable disinfectants and cleaners include: Household bleach @ 5.25%, Ethyl alcohol, alcohol, alcohol-based phenols, household cleaners and strong phenols or alcohol-phenol combinations. The use of iodine based products has been known to stain painted and upholstered surfaces.

When **FLUSHING UNIT LINES AND WATER BOTTLE SYSTEMS**, care must be taken. If a powdered flushing product that requires mixing with water is used, the powder must be thoroughly dissolved in the water. Improper mixing will cause solution particulates. These particulates may cause residual debris in the water lines which will cause the dental system to not work properly.

DAMAGE OR DISCOLORATION OF SURFACE FINISHES IS NOT COVERED UNDER THE BEAVERSTATE WARRANTY.



StainOff - Iodophor Inactivator

Recommended for use in removing Iodophor discoloration and/or spills.

(See page 100 for details)

HELIX OPERATORY SYSTEM



'HELIX' PACKAGE'

Operator System with Telescoping Vacuum..... **Package Price** \$12,690.00

UNIT PACKAGE FEATURES

'Helix'	Left/Right Swing Posts and Bracket with Bushing (only available on Helix Operator)	N/A
H-3500	3 Handpiece Automatic Control, Top Post Mount System (only available on Helix Operator)	N/A
H-5200	Telescoping Vacuum Arm (only available on Helix Operator).....	N/A
CLX-110	Operator Light (see page 64)	\$1,060.00
DR-96	Doctor's Operator Stool (see page 64)	\$444.00
AT-96	Assistant's Operator Stool (see page 64)	\$620.00
EVOL-3	Evolution Operator Chair Wideback, 110V (see page 12) (Operator price)	\$5,700.00
110-062	Post Mounted Water Bottle Kit (see page 85)	\$280.00

CUSTOM OPTIONS:

115-713 HP Illumination (5 pin)	\$266.00
115-703 HP Illumination (6 pin)	\$225.00
126-160 Wet/dry foot control	\$85.50
030-014 2nd HVE, holder and tubing	\$73.00
Amdent Scaler	\$1,198.00
Installation kit with transformer	\$160.00
Installation Fee.....	\$50.00

NORTHWEST OPERATORY SYSTEM



'NORTHWEST' PACKAGE

Operatory System with Telescoping Vacuum Arm **Package Price \$12,070.00**

UNIT PACKAGE FEATURES

S-3500	3 Handpiece Automatic Control, 2" dia. Post Mount System (see page 14)	\$3,050.00
A-5200	Telescoping Vacuum Arm (see page 60)	\$793.00
CLX-110	Operatory Light (see page 64)	\$1,060.00
146-203	40" Light Post with Bushing (see page 98)	\$130.00
DR-96	Doctor's Operatory Stool (see page 64)	\$444.00
AT-96	Assistant's Operatory Stool (see page 64)	\$620.00
EVOL-3	Evolution Operatory Chair, 110V (see page 12) (Operatory price).....	\$5,700.00
146-116	Evolution Chair Adaptor (see page 99)	\$252.00
110-062	Post Mounted Water Bottle Kit (see page 85)	\$280.00

CUSTOM OPTIONS:

115-713 HP Illumination (5 pin)	\$266.00
115-703 HP Illumination (6 pin)	\$225.00
126-160 Wet/dry foot control.....	\$85.50
030-014 2nd HVE, holder and tubing	\$73.00
Amdent Scaler	\$1,198.00
Installation kit with transformer	\$160.00
Installation Fee.....	\$50.00

EVERGREEN OPERATORY SYSTEM



'EVERGREEN' PACKAGE

Operator System with Side Box and Telescoping Vacuum Arm..... **Package Price** \$12,325.00

UNIT PACKAGE FEATURES

S-3506	3 Handpiece Automatic Control, Top Post Mount System—Flip Top (see page 14)	\$3,050.00
A-5210	Telescoping Vacuum Arm for 144-055 Side Box only (not shown separately)	\$657.00
CLX-110	Operator Light (see page 64)	\$1,060.00
DR-96	Doctor's Operator Stool (see page 64)	\$444.00
AT-96	Assistant's Operator Stool (see page 64)	\$620.00
EVOL-3	Evolution Operator Chair, 110V (see page 12) (Operator price).....	\$5,700.00
146-116	Evolution Chair Adapter (see page 99)	\$252.00
144-055	Side Box with Water QD and Flow Control for A-5210 Telescoping Vacuum Arm only	\$800.00
	(not shown separately)	



CUSTOM OPTIONS:

144-054 Water Bottle Kit.....	\$136.00
115-713 HP Illumination (5 pin)	\$266.00
115-703 HP Illumination (6 pin)	\$225.00
126-160 Wet/dry foot control	\$85.50
030-014 2nd HVE, holder and tubing	\$73.00
Amdent Scaler	\$1,198.00
Installation kit with transformer	\$160.00
Installation Fee.....	\$50.00

COLUMBIA OPERATORY SYSTEM



'COLUMBIA' PACKAGE

Operatory System with Cuspidor **Package Price** \$12,442.00

UNIT PACKAGE FEATURES

S-3506	3 Handpiece Automatic Control, Top Post Mount System—Flip Top (see page 14)	\$3,050.00
C-3250	Cuspidor with Vacuum and Water QD (see page 58)	\$1,242.00
CLX-110	Operatory Light (see page 64)	\$1,060.00
146-015	Light Post Extension with Bushing (see page 98)	\$190.00
DR-96	Doctor's Operatory Stool (see page 64)	\$444.00
AT-96	Assistant's Operatory Stool (see page 64)	\$620.00
EVOL-3	Evolution Operatory Chair, 110V (see page 12) (Operatory price)	\$5,700.00
146-116	Evolution Chair Adapter (see page 99)	\$252.00

CUSTOM OPTIONS:

Water Bottle Systems.....	Page 85
115-713 HP Illumination (5 pin)	\$266.00
115-703 HP Illumination (6 pin)	\$225.00
126-160 Wet/dry foot control	\$85.50
030-014 2nd HVE, holder and tubing	\$73.00
113-514 Syringe, assistant side	\$99.50
Amdent Scaler	\$1,198.00
Installation kit with transformer	\$160.00
Installation Fee.....	\$50.00

SIERRA OPERATORY SYSTEM



'SIERRA' PACKAGE

Operator System with Side Box and Cuspidor **Package Price** \$12,670.00

UNIT PACKAGE FEATURES

S-3506	3 Handpiece Automatic Control, Top Post Mount System—Flip Top (see page 14)	\$3,050.00
144-057	Side Box with Light Post, Water QD and Flow Control for C-3201 Cuspidor only (not shown separately)	\$818.00
C-3201	Cuspidor for 144-057 Side Box only (not shown separately)	\$971.25
CLX-110	Operator Light (see page 64)	\$1,060.00
DR-96	Doctor's Operator Stool (see page 64)	\$444.00
AT-96	Assistant's Operator Stool (see page 64)	\$620.00
EVOL-3	Evolution Operator Chair, 110V (see page 12) (Operator price).....	\$5,700.00
146-116	Evolution Chair Adapter (see page 99)	\$252.00

CUSTOM OPTIONS:

144-054 Water Bottle Kit	\$136.00
115-713 HP Illumination (5 pin)	\$266.00
115-703 HP Illumination (6 pin)	\$225.00
126-160 Wet/dry foot control	\$85.50
030-014 2nd HVE, holder and tubing	\$73.00
Amdent Scaler	\$1,198.00
Installation kit with transformer	\$160.00
Installation Fee.....	\$50.00



M T. HOOD OPERATORY SYSTEM



'M T. HOOD' PACKAGE

Euro Operatory System with Cuspidor **Package Price \$12,790.00**

UNIT PACKAGE FEATURES

S-6307	3 Handpiece Automatic Control, Top Post Mount System—Euro Style (see page 18)	\$3,380.00
C-3250	Cuspidor with Vacuum and water QD (see page 58)	\$1,242.00
CLX-110	Operatory Light (see page 64)	\$1,060.00
146-015	Light Post Extension with Bushing (see page 98)	\$190.00
DR-96	Doctor's Operatory Stool (see page 64)	\$444.00
AT-96	Assistant's Operatory Stool (see page 64)	\$620.00
EVOL-3	Evolution Operatory Chair, 110V (see page 12) (Operatory price).....	\$5,700.00
146-116	Evolution Chair Adapter (see page 99)	\$252.00

CUSTOM OPTIONS:

Water Bottle Systems.....	Page 85
115-713 HP Illumination (5 pin)	\$266.00
115-703 HP Illumination (6 pin)	\$225.00
126-160 Wet/dry foot control	\$85.50
030-016 2nd HVE, holder and tubing	\$73.00
113-514 Syringe, assistant side	\$99.50
Amdent Scaler	\$1,198.00
Installation kit with transformer	\$160.00
Installation Fee.....	\$50.00

MCKENZIE OPERATORY SYSTEM



'MCKENZIE' PACKAGE

Euro Operatory System with Cuspidor **Package Price \$13,020.00**

UNIT PACKAGE FEATURES

S-6307	Handpiece Automatic Control, Top Post Mount System—Euro Style (see page 18)	\$3,380.00
144-057	Side Box with Light Post, Water QD and Flow Control for C-3201 Cuspidor only	\$818.00
	(not shown separately)	
C-3201	Cuspidor for 144-057 Side Box only (not shown separately)	\$971.25
CLX-110	Operatory Light (see page 64)	\$1,060.00
DR-96	Doctor's Operatory Stool (see page 64)	\$444.00
AT-96	Assistant's Operatory Stool (see page 64)	\$620.00
EVOL-3	Evolution Operatory Chair, 110V (see page 12) (Operatory price)	\$5,700.00
146-116	Evolution Chair Adapter (see page 99)	\$252.00



CUSTOM OPTIONS:

144-054 Water Bottle Kit	\$136.00
115-713 HP Illumination (5 pin)	\$266.00
115-703 HP Illumination (6 pin)	\$225.00
126-160 Wet/dry foot control	\$85.50
030-016 2nd HVE, holder and tubing	\$73.00
Amdent Scaler	\$1,198.00
Installation kit with transformer	\$160.00
Installation Fee	\$50.00

'E VOLUTION 3' OPERATORY CHAIR



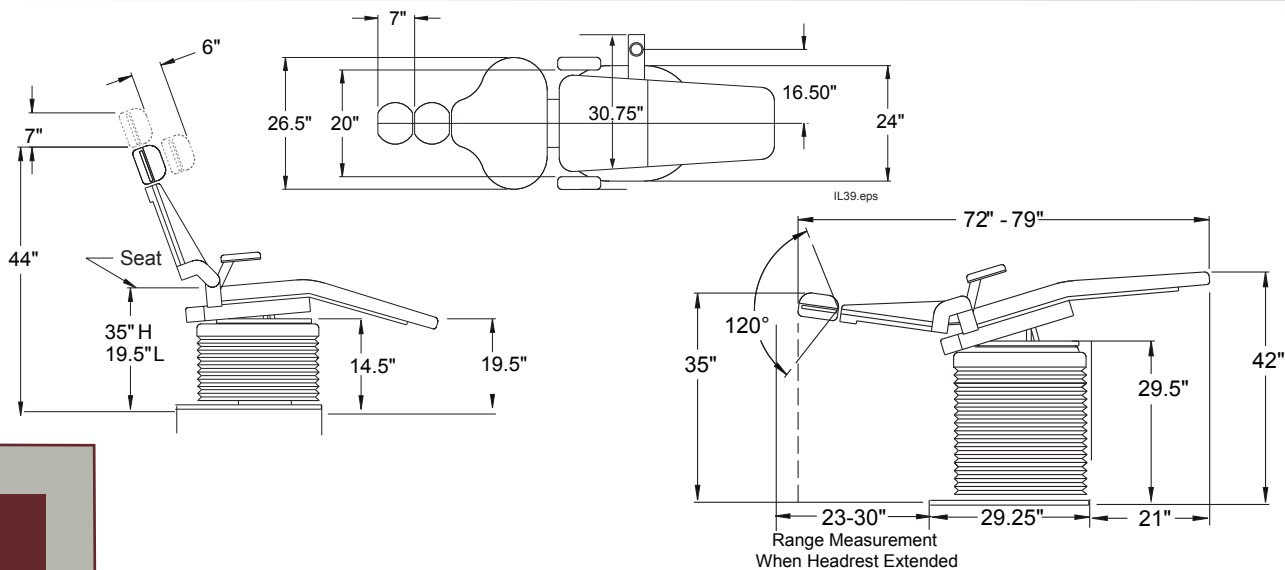
Wideback Back without Slings

Narrow Back with Slings

E VOLUTION-3 (110 VOLT AC)

Operator chair with 5 programmable positions
 \$7,000.00 (when sold separately)
 \$5,700.00 (when sold as part of COMPLETE operator)

D IMENSIONS



FEATURES FOR EVOLUTION-3 OPERATORY CHAIR

EVOL-110

Heavy duty cast aluminum base	■
Thin back with lumbar support	■
Anatomically correct back pivot point	■
Standard non-articulating headrest with contour cushion	■
Centrally located touch control	■
4 manual chair movements and 5 programmable positions	■
Swing down arms	■
Synchronized back and toe board recline	■
Snap-on upholstery	■
Heavy vinyl scuff guard for toe board	■
Multi-function foot switch	■
110 Volt AC motors	■
400+ lb. lifting capacity	■

OPTIONS

	PART NUMBER	PRICE	
Chair adapter	146-116	\$252.00 Add	■

COLOR OPTIONS

	PART NUMBER	PRICE	
Gray	363556	N/C	■
Lite Gray	363780	N/C	■
Natural	363537	N/C	■
Coffee Cream	363538	N/C	■
New Burgundy	363546	N/C	■
Black Plum	363767	N/C	■
Mauve	363783	N/C	■
Colonial Blue	363554	N/C	■
Midnight Blue	363786	N/C	■
Horizon Blue	363553	N/C	■
Jade	363552	N/C	■
Hunter Green	363551	N/C	■

UPHOLSTERY OPTIONS

	PART NUMBER	PRICE	
Narrow Back Chair with Slings		N/C	■
Nauga Soft upholstery		N/C	■



Touch Pad Control
Located on chair back
(Standard Feature)



Double Articulating Headrest
(in lieu of non articulating headrest)
300-094
\$170.00

OVER THE PATIENT SYSTEMS

TOP POST MOUNT UNITS INCLUDE 28" POST



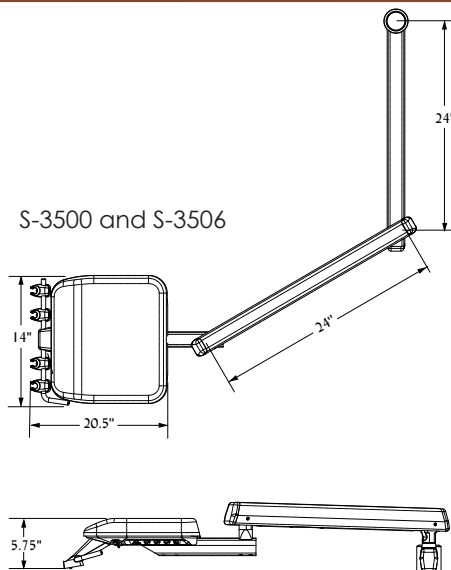
S-3500

3 HP Automatic 2" dia. Post Mount
 Doctor's System with Pneumatic Brake Flex Arm
 \$3,050.00

S-3506

3 HP Automatic Top Post Mount
 Doctor's System with Pneumatic Brake Flex Arm
 \$3,050.00

DIMENSIONS




FEATURES FOR OVER THE PATIENT SYSTEMS	S-3500	S-3506
Asepsis designed automatic selection for 3 handpieces	■	■
Bottom mounted angled control adjustments	■	■
3-way syringe with quick change autoclavable tip	■	■
Master ON/OFF toggle with indicator	■	■
Pressure adjustment for each handpiece	■	■
Easy to read pressure gauge (protected under cover)	■	■
Air coolant flow adjustment	■	■
Non-retracting water coolant adjustment and purge	■	■
Plated brass valving for long life	■	■
Asepsis handpiece tubing, sterling (specify straight or coiled)	■	■
Stainless steel instrument tray, 9-3/4" x 13-1/2"	■	■
Asepsis flex arm system with pneumatic brake, 52" reach, 27" vertical travel	■	■
Unit mount post, 28"		■
Soft-touch variable speed foot control	■	■
Utility center assembly, 14" x 9" x 5-3/8"	■	■
7' umbilical tubing	■	■

OPTIONS	PART NUMBER	PRICE		
Delete utility center	144-018	\$315.00 Deduct	■	■
Delete handpiece station with tubing		\$50.00 Deduct	■	■
Additional handpiece station with tubing (dry only)		\$125.00 Add	■	■
Additional umbilical tubing (per foot)		\$9.00 Add	■	■
Unit mount post, 40" with bushing	146-203	\$130.00 Add	■	
Light post extension with bushing	146-015	\$190.00 Add		■
Chair bracket (specify model of chair - see page 99)			■	■

<p>Dual Water Bottle Kits, page 85</p> <p>Post 110-051 Wall 110-052</p> <p>\$450.00 \$410.00</p> 	<p>Water Bottle Kits, page 85</p> <p>110-004 110-028</p> <p>\$144.00 \$180.00</p> 	<p>Handpiece Illumination System with Delay, 5 and 6 pin pages 91 and 92</p>  <p>Hepa Filter 119-027 \$27.50 page 76</p> 
--	--	---

Amdent Scaler (sold separately)

114-050
\$1,198.00
Installation kit with transformer
114-051
\$160.00 Installation Fee \$50.00



Foot Controls, page 87

126-133 Chip Blower \$86.00 Add
126-160 Wet/Dry \$85.50 Add
126-203 Wet/Dry Chip Blower \$133.00 Add

OVER THE PATIENT SYSTEMS

TOP POST MOUNT UNITS INCLUDE 28" POST



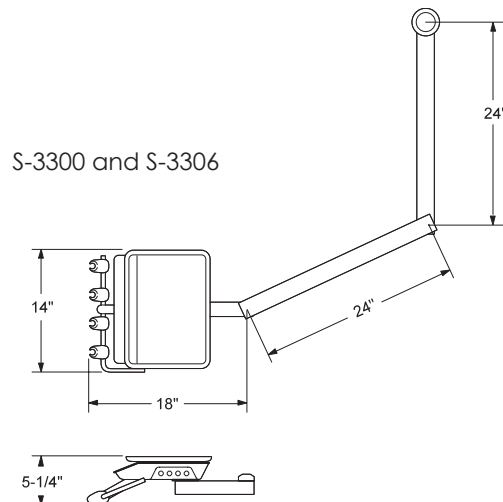
S-3300

3 HP Automatic 2" dia. Post Mount
 Doctor's System with Pneumatic Brake Flex Arm
 \$3,000.00

S-3306

3 HP Automatic Top Post Mount
 Doctor's System with Pneumatic Brake Flex Arm
 \$3,000.00

DIMENSIONS



FEATURES FOR OVER THE PATIENT SYSTEMS

	S-3300	S-3306
Asepsis designed automatic selection for 3 handpieces	■	■
Side-mounted recessed control adjustments	■	■
3-way syringe with quick change autoclavable tip	■	■
Master ON/OFF toggle with indicator	■	■
Pressure adjustment for each handpiece	■	■
Easy to read pressure gauge (protected under cover)	■	■
Air coolant flow adjustment	■	■
Non-retracting water coolant adjustment and purge	■	■
Plated brass valving for long life	■	■
Asepsis handpiece tubing, sterling (specify straight or coiled)	■	■
Stainless steel instrument tray, 9-3/4" x 13-1/2"	■	■
Asepsis flex arm system with pneumatic brake, 52" reach, 27" vertical travel	■	■
Unit mount post, 28"		■
Soft-touch variable speed foot control	■	■
Utility center assembly, 14" x 9" x 5-3/8"	■	■
7' umbilical tubing	■	■

OPTIONS

	PART NUMBER	PRICE		
Delete utility center	144-018	\$315.00 Deduct	■	■
Delete handpiece station with tubing		\$50.00 Deduct	■	■
Additional handpiece station with tubing (dry only)		\$125.00 Add	■	■
Additional umbilical tubing (per foot)		\$9.00 Add	■	■
Unit mount post, 40" with bushing	146-203	\$130.00 Add	■	
Light post extension with bushing	146-015	\$190.00 Add		■
Chair bracket (specify model of chair - see page 99)			■	■

Dual Water Bottle Kits, page 85

Post 110-051 Wall 110-052
 \$450.00 \$410.00



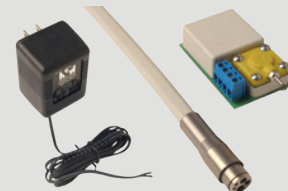
Water Bottle Kits, page 85

110-004 110-028
 \$144.00 \$180.00



Handpiece Illumination System

with Delay, 5 and 6 pin
 pages 91 and 92



Hepa Filter
 119-027
 \$27.50
 page 76



Amdent Scaler (sold separately)

114-050
 \$1,198.00
 Installation kit with transformer
 114-051
 \$160.00 Installation Fee \$50.00



Foot Controls, page 87

126-133 Chip Blower \$86.00 Add
 126-160 Wet/Dry \$85.50 Add
 126-203 Wet/Dry Chip Blower \$133.00 Add

OVER THE PATIENT SYSTEMS

TOP POST MOUNT UNITS INCLUDE 28" POST



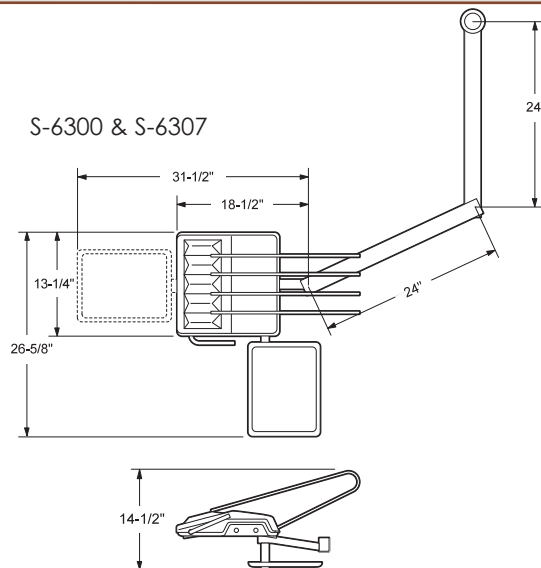
S-6300

3 HP Automatic Euro 2" dia. Post Mount
 Doctor's System with Pneumatic Brake Flex Arm
 \$3,380.00

S-6307

3 HP Automatic Euro Top Post Mount
 Doctor's System with Pneumatic Brake Flex Arm
 \$3,380.00

DIMENSIONS



FEATURES FOR OVER THE PATIENT SYSTEMS

	S-6300	S-6307
Asepsis designed automatic selection for 3 handpieces	■	■
Side-mounted control adjustments	■	■
3-way syringe with quick change autoclavable tip	■	■
Master ON/OFF toggle with indicator	■	■
Pressure adjustment for each handpiece	■	■
Easy to read pressure gauge	■	■
Air coolant flow adjustment	■	■
Non-retracting water coolant adjustment and purge	■	■
Water coolant ON/OFF	■	■
Plated brass valving for long life	■	■
Asepsis handpiece tubing, sterling	■	■
Stainless steel instrument tray, 9-3/4" x 13-1/2"	■	■
Arm-mounted tray holder, 30" lateral movement, 360° rotation	■	■
Asepsis flex arm system with pneumatic brake, 52" reach, 27" vertical travel	■	■
Unit mount post, 28"		■
Soft-touch variable speed foot control	■	■
Utility center assembly, 14" x 9" x 5-3/8"	■	■
7' umbilical tubing	■	■

OPTIONS

	PART NUMBER	PRICE		
Delete utility center	144-018	\$315.00 Deduct	■	■
Unit mount post, 40" with bushing	146-203	\$130.00 Add	■	
Additional umbilical tubing (per foot)		\$9.00 Add	■	■
Light post extension with bushing	146-015	\$190.00 Add		■
Chair bracket (specify model of chair - see page 99)			■	■

Dual Water Bottle Kits, page 85

Post 110-051 Wall 110-052
\$450.00 \$410.00

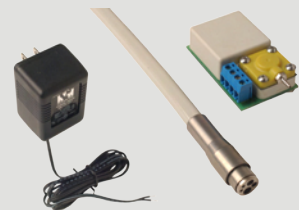


Water Bottle Kits, page 85

110-004 110-028
\$144.00 \$180.00



Handpiece Illumination System
with Delay, 5 and 6 pin
pages 91 and 92



Foot Controls, page 87

126-133 Chip Blower \$86.00 Add
126-160 Wet/Dry \$85.50 Add
126-203 Wet/Dry Chip Blower \$133.00 Add

OVER THE PATIENT SYSTEMS



S-3410

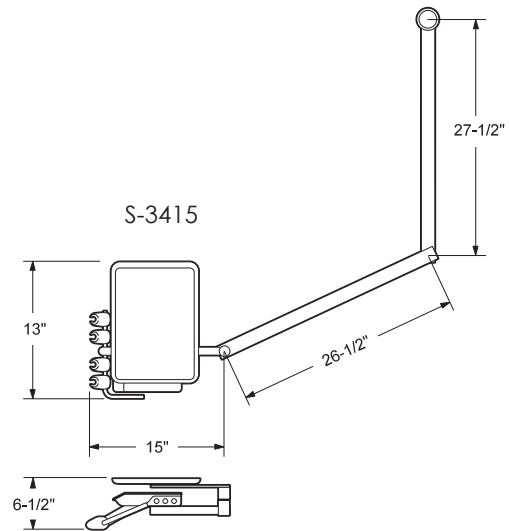
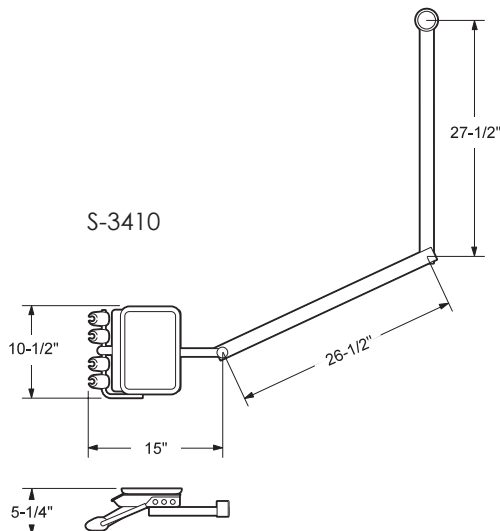
3 HP Automatic 2" dia. Post Mount
 Doctor's System, (2 wet, 1 dry) with Manual Flex Arm
 \$2,100.00

S-3415

3 HP Automatic 2" dia. Post Mount
 Doctor's System, (2 wet, 1 dry) with Manual Flex Arm
 \$2,200.00

DIMENSIONS

MAXIMUM TRAY LOAD LIMIT IS 4 LBS.



FEATURES FOR OVER THE PATIENT SYSTEMS

	S-3410	S-3415
Asepsis designed automatic selection for 3 handpieces	■	■
Side-mounted recessed control adjustments	■	■
3-way syringe with quick change autoclavable tip	■	■
Master ON/OFF toggle	■	■
Pressure adjustment for each handpiece	■	■
Easy to read pressure gauge	■	■
Non-retracting water coolant	■	■
Water coolant ON/OFF and flow control	■	■
Plated brass valving for long life	■	■
Asepsis handpiece tubing, sterling (specify straight or coiled)	■	■
Manual flex arm system with friction brake, 63" reach, 27" vertical travel	■	■
Stainless steel instrument tray, 9-3/4" x 13-1/2"		■
Stainless steel instrument tray, 10" x 6-1/2"	■	
Soft-touch variable speed foot control	■	■
Utility center assembly, 14" x 9" x 5-3/8"	■	■
7' umbilical tubing	■	■

OPTIONS

	PART NUMBER	PRICE		
Delete utility center	144-018	\$315.00 Deduct	■	■
Delete handpiece station with tubing		\$50.00 Deduct	■	■
Unit mount post, 28" with bushing	146-202	\$110.00 Add	■	■
Unit/light post, 40" with bushing	146-203	\$130.00 Add	■	■
Additional umbilical tubing (per foot)		\$9.00 Add	■	■
Chair bracket (specify model of chair - see page 99)			■	■

Dual Water Bottle Kits, page 85

Post 110-051 Wall 110-052
\$450.00 \$410.00



Water Bottle Kits, page 85

110-004 110-028
\$144.00 \$180.00



Handpiece Illumination System
with Delay, 5 and 6 pin
pages 91 and 92



Foot Controls, page 87

126-133 Chip Blower	\$86.00 Add
126-160 Wet/Dry	\$85.50 Add
126-203 Wet/Dry Chip Blower	\$133.00 Add

OVER THE PATIENT SYSTEMS



A-2500

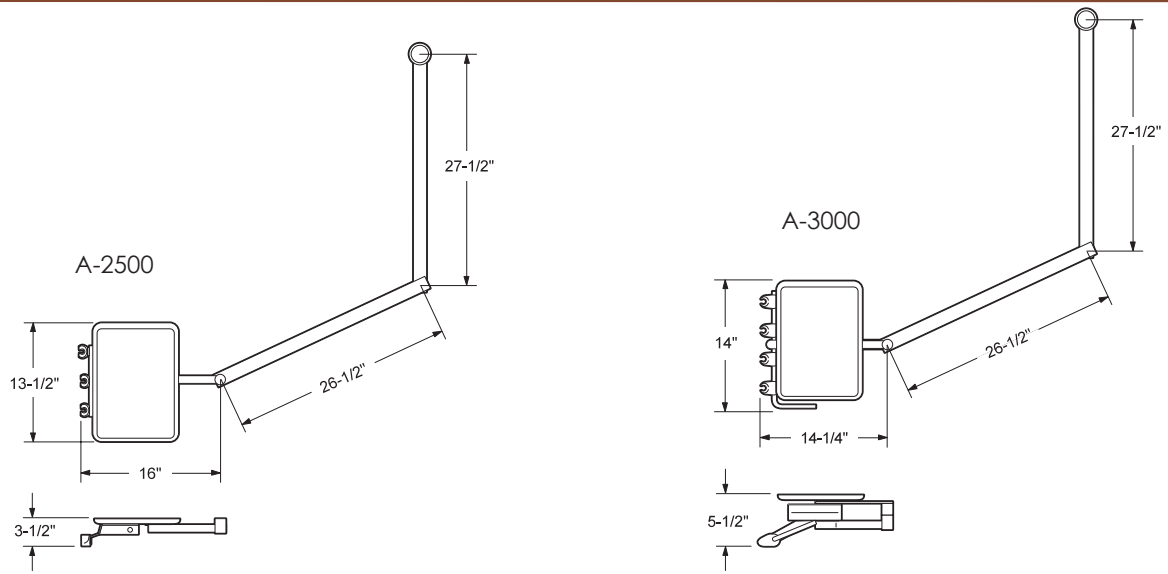
2 HP Automatic 2" dia. Post Mount
 Doctor's System with Manual Flex Arm
 \$1,850.00

A-3000

3 HP Automatic 2" dia. Post Mount
 Doctor's System with Manual Flex Arm
 \$2,500.00

DIMENSIONS

MAXIMUM TRAY LOAD LIMIT IS 4 LBS.



FEATURES FOR OVER THE PATIENT SYSTEM

	A-2500	A-3000
Automatic selection for 2 handpieces	■	■
Automatic selection for 3 handpieces with purge		■
3-way syringe with quick change autoclavable tip	■	■
Master ON/OFF toggle with indicator		■
Pressure adjustment for each handpiece	■	■
Easy to read pressure gauge	■	■
Air coolant flow adjustment		■
Non-retracting water coolant adjustment and purge		■
Water coolant ON/OFF and flow control	■	■
Plated brass valving for long life	■	■
Asepsis handpiece tubing, sterling (specify straight or coiled)	■	■
Stainless steel instrument tray, 9-3/4" x 13-1/2"	■	■
Arm-mounted tray holder, 16" lateral movement, 360° rotation		■
Manual flex arm system with friction brake, 63" reach, 27" vertical travel	■	■
Soft-touch variable speed foot control	■	■
Utility center assembly, 14" x 9" x 5-3/8"	■	■
7' umbilical tubing	■	■

OPTIONS

	PART NUMBER	PRICE	A-2500	A-3000
Delete utility center	144-018	\$315.00 Deduct	■	■
Water coolant to both handpieces		\$32.00 Add	■	
Handpiece coolant purge		\$32.00 Add		■
Delete handpiece station with tubing		\$50.00 Deduct		■
Additional handpiece station with tubing on A-3000 (dry only)		\$125.00 Add		■
Unit mount post, 28" with bushing	146-202	\$110.00 Add	■	■
Unit/light post, 40" with bushing	146-203	\$130.00 Add	■	■
Additional umbilical tubing (per foot)		\$9.00 Add		■

Dual Water Bottle Kits, page 85

Post 110-051 Wall 110-052
\$450.00 \$410.00



Water Bottle Kits, page 85

110-004 110-028
\$144.00 \$180.00



Handpiece Illumination System with Delay, 5 and 6 pin pages 91 and 92



(A-3000 Only) Foot Controls, page 87

126-133 Chip Blower	\$86.00 Add
126-160 Wet/Dry	\$85.50 Add
126-203 Wet/Dry Chip Blower	\$133.00 Add



FILTER/REGULATORS MUST BE ORDERED SEPARATELY

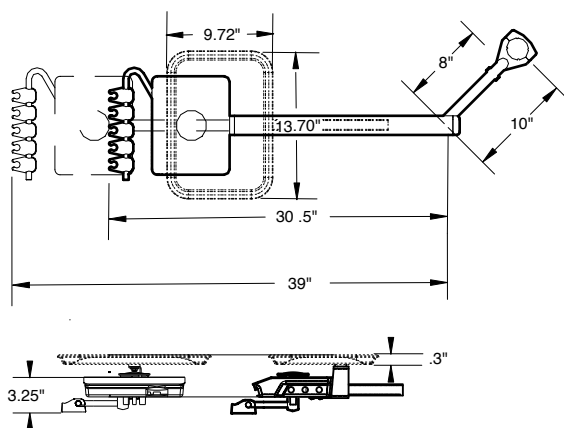
S-5325

2 HP Automatic 2" dia. Post Mount Hygiene System with Telescoping Arm
\$1,485.00

S-5325 w/PIVOTING TRAY BRACKET

With 105-096 pivoting Tray Mount Assembly
\$1,585.00
(Shown with OPTIONAL 010-001 S/S tray)

DIMENSIONS



FEATURES FOR HYGIENE SYSTEMS

S-5325

Automatic selection for 2 handpieces (1 wet, 1 dry)	■
3-way syringe with quick change autoclavable tip	■
1 autoclavable HVE and saliva ejector valve with tubing	■
Vacuum canister with removable screen (uses 131-053 screen)	■
Pressure adjustment for each handpiece	■
Easy to read pressure gauge	■
Non-retracting water coolant	■
Water coolant ON/OFF and flow control	■
Plated brass valving for long life	■
Asepsis handpiece tubing, sterling (specify straight or coiled)	■
Telescoping arm with breakaway feature, 31" to 42" horizontal reach	■
Soft-touch variable speed foot control	■
7' umbilical tubing	■

OPTIONS

PART NUMBER PRICE

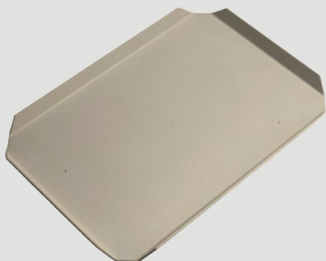
Water coolant to both handpieces		\$32.00 Add	■
Unit mount post, 28" with bushing	146-202	\$110.00 Add	■
Unit/light post, 40" with bushing	146-203	\$130.00 Add	■
Additional umbilical tubing (per foot)		\$10.00 Add	■

Dual Water Bottle Kits, page 85

Post 110-051 Wall 110-052
\$450.00 \$410.00



Pivoting Tray Mount Assembly
105-096
\$100.00



Water Bottle Kits, page 85

110-004 110-028
\$144.00 \$180.00



9 3/4" x 13 1/2" S/S Tray
010-001
\$52.50



Handpiece Illumination System
with Delay, 5 and 6 pin
pages 91 and 92



Utility Center Assembly
144-018, page 84
\$350.00



BENEATH SHELF SYSTEMS



FILTER/REGULATORS MUST
BE ORDERED SEPARATELY

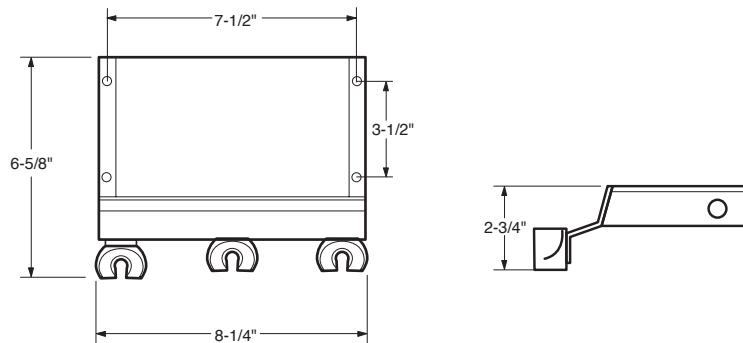
A-250

2 HP Automatic Beneath Shelf Doctor's System
\$700.00

A-230 (not shown)

2 HP Manual Beneath Shelf Doctor's System
\$630.00

DIMENSIONS



FEATURES FOR BENEATH SHELF SYSTEMS

	A-250	A-230
Automatic selection for 2 handpieces (1 wet, 1 dry)	■	
Manual selection for 2 handpieces (1 wet, 1 dry)		■
3-way syringe with quick change autoclavable tip	■	■
Master ON/OFF toggle	■	
Pressure adjustment for each handpiece	■	■
Easy to read pressure gauge	■	■
Non-retracting water coolant	■	■
Water coolant ON/OFF and flow control	■	■
Plated brass valving for long life	■	■
Asepsis handpiece tubing, sterling (specify straight or coiled)	■	■
Soft-touch variable speed foot control	■	■
7' umbilical tubing	■	■

OPTIONS

	PART NUMBER	PRICE		
Handpiece coolant purge		\$32.00 Add	■	■
Water coolant to both handpieces		\$32.00 Add	■	■
Additional umbilical tubing (per foot)		\$9.00 Add	■	■

Dual Water Bottle Kits, page 85

Post 110-051 Wall 110-052

\$450.00 \$410.00



Water Bottle Kit

110-004, page 85

\$144.00



Handpiece Illumination System

with Delay, 5 and 6 pin
pages 91 and 92



Bracket for 1/2" dia. pin mount

105-060, page 68

\$27.50



Control Head Cover

101-016

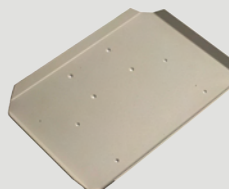
\$35.00



Tray holder for arm mounting

105-074, page 70

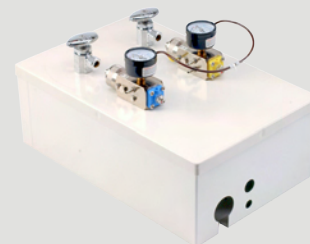
\$36.00



Utility Center Assembly

144-018, page 84

\$350.00



CABINET MOUNTED SYSTEMS



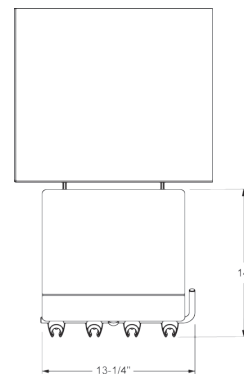
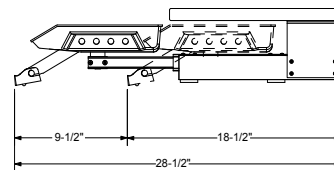
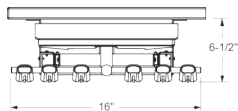
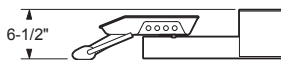
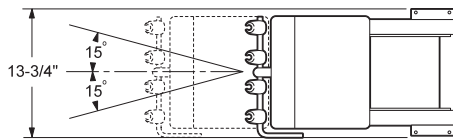
SO-3304

3 HP Automatic Rear Delivery
Slide-out Mount Control Head
\$1,820.00

SO-3354

3 HP Automatic Rear Delivery Slide-out Mount
Control Head with Vacuum
\$2,000.00

DIMENSIONS



FEATURES FOR CABINET MOUNTED SYSTEMS

SO-3304 SO-3354

Side-mounted recessed control adjustments	■	■
3-way syringe with quick change autoclavable tip	■	■
Master ON/OFF toggle with indicator	■	■
Pressure adjustment for each handpiece	■	■
Easy to read pressure gauge (protected under cover)	■	■
Air coolant flow adjustment	■	■
Non-retracting water coolant adjustment and purge	■	■
Plated brass valving for long life	■	■
Asepsis handpiece tubing, sterling (specify straight or coiled)	■	■
Vacuum canister with removable 1-7/8" screen (uses 131-052 screen)		■
1 autoclavable HVE and saliva ejector valve with tubing		■
Slide-out mount with 15° pivot left and right	■	■
Soft-touch variable speed foot control	■	■
Utility center assembly (less housing)	■	■
7' umbilical tubing	■	■

OPTIONS

PART NUMBER PRICE

Delete utility center	144-027	\$230.00 Deduct	■	■
Delete handpiece station with tubing		\$50.00 Deduct	■	■
Additional handpiece station with tubing (dry only)		\$125.00 Add	■	■
Additional syringe on doctor or assistant's side	113-515	\$99.00 Add	■	■
Additional umbilical tubing (per foot)		\$9.00 Add	■	■

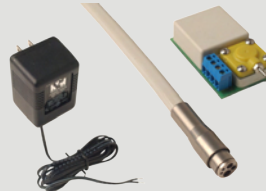
Dual Water Bottle Kit
110-052, page 85
\$410.00



Water Bottle Kit
110-004, page 85
\$144.00



Handpiece Illumination System
with Delay, 5 and 6 pin
pages 91 and 92



Additional HVE Valve with
Tubing and Holder
030-014
\$73.00



Hepa Filter
119-027
\$27.50
page 76



Amdent Scaler (sold separately)
114-050
\$1,198.00
Installation kit with transformer
114-051
\$160.00

Installation Fee \$50.00



Foot Controls, page 87

126-133 Chip Blower \$86.00 Add
126-160 Wet/Dry \$85.50 Add
126-203 Wet/Dry Chip Blower \$133.00 Add

CABINET MOUNTED SYSTEMS



SC-4200

3 HP Automatic Rear Delivery
Swivel Mount Control Head
\$1,750.00

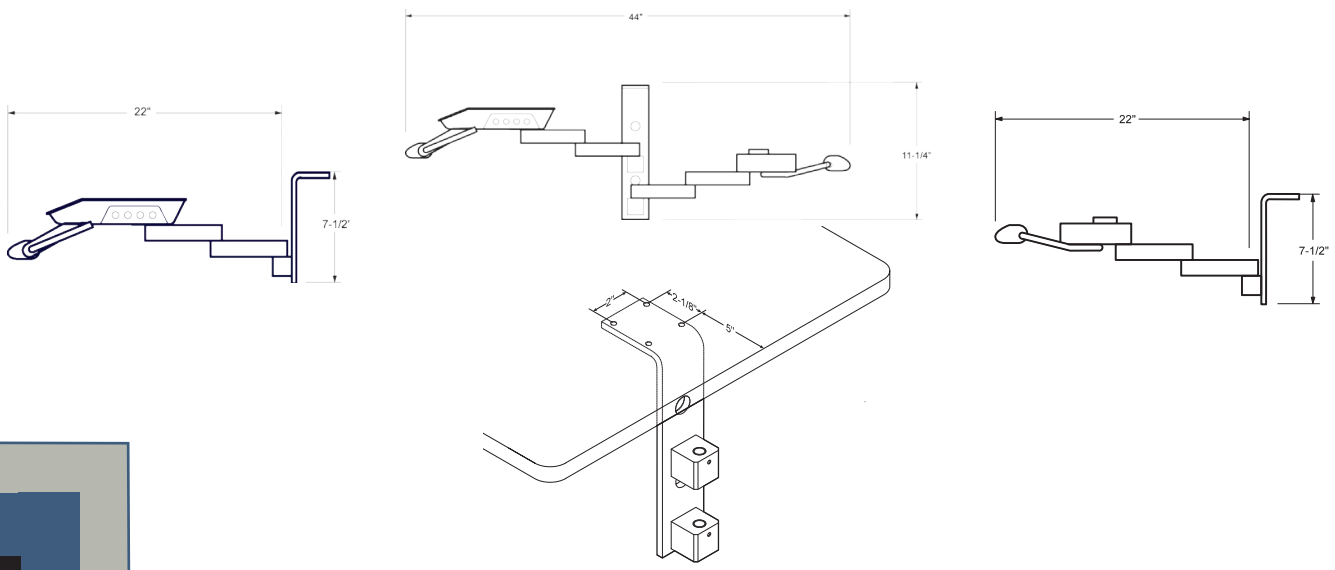
SC-4250

3 HP Automatic IC Rear Delivery Duo
Swing System with Vacuum
\$2,340.00

A-5150

Rear Delivery Assistant's Swivel
Vacuum System
\$690.00

DIMENSIONS



FEATURES FOR CABINET MOUNTED SYSTEMS

SC-4200 SC-4250 A-5150

Pivoting arm mounted asepsis designed automatic selection for 3 handpieces	■	■	
Side-mounted recessed control adjustments	■	■	
3-way syringe with quick change autoclavable tip	■	■	■
Master ON/OFF toggle with indicator	■	■	
Pressure adjustment for each handpiece	■	■	
Easy to read pressure gauge (protected under cover)	■	■	
Air coolant flow adjustment	■	■	
Non-retracting water coolant adjustment and purge	■	■	
Plated brass valving for long life	■	■	
Asepsis handpiece tubing, sterling (specify straight or coiled)	■	■	
Pivoting arm mounted vacuum canister with removable screen (uses 131-053 screen)		■	■
1 autoclavable HVE and saliva ejector valve with tubing	■	■	
Soft-touch variable speed foot control	■	■	
Utility center assembly (less housing and cover)	■	■	
7' umbilical tubing	■	■	■

OPTIONS

PART NUMBER PRICE

Delete utility center less housing	144-027	\$230.00 Deduct	■	■
Delete handpiece station with tubing		\$50.00 Deduct	■	■
Additional handpiece station with tubing (dry only)		\$125.00 Add	■	■
Additional umbilical tubing (per foot)		\$9.00 Add	■	■
Additional syringe for doctor or assistant's side	113-515	\$99.00 Add		■
Additional umbilical tubing (per foot)		\$5.00 Add		■

Dual Water Bottle Kit
110-052, page 85
\$410.00 (SC-4200 & SC-4250)



Water Bottle Kit
110-004, page 85
\$144.00 (SC-4200 & SC-4250)



Additional HVE Valve with
Tubing and Holder
030-014
\$73.00 (A-5150 & SC-4250)



Handpiece Illumination System
with Delay, 5 and 6 pin
pages 91 and 92



Hepa Filter
119-027
\$27.50
page 76



Amdent Scaler (sold separately)
114-050
\$1,198.00
Installation kit with transformer
114-051
\$160.00

Installation Fee \$50.00



Foot Controls, page 87

126-133 Chip Blower \$86.00 Add
126-160 Wet/Dry \$85.50 Add
126-203 Wet/Dry Chip Blower \$133.00 Add

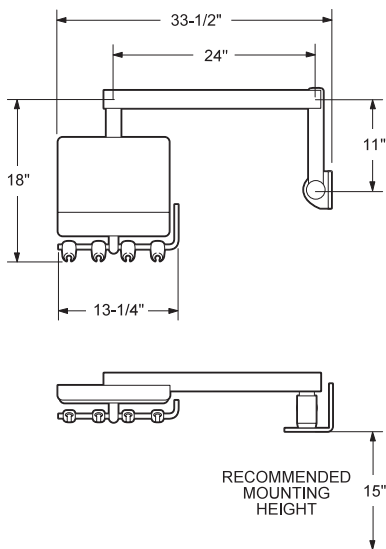
CABINET MOUNTED SYSTEMS



SD-3302

3 HP Automatic Doctor's Side Delivery
with Pneumatic Brake Flex Arm
\$2,980.00

DIMENSIONS



FEATURES FOR CABINET MOUNTED SYSTEMS

SD-3302

Asepsis designed automatic selection for 3 handpieces	■
Side-mounted recessed control adjustments	■
3-way syringe with quick change autoclavable tip	■
Master ON/OFF toggle with indicator	■
Pressure adjustment for each handpiece	■
Easy to read pressure gauge (protected under cover)	■
Air coolant flow adjustment	■
Non-retracting water coolant adjustment and purge	■
Plated brass valving for long life	■
Asepsis handpiece tubing, sterling (specify straight or coiled)	■
Asepsis flex arm system with pneumatic brake, 9" rigid arm, 39" reach, 19" vertical travel	■
2" dia. wall mount bracket	■
Soft-touch variable speed foot control	■
Utility center assembly (less housing and cover)	■
7' umbilical tubing	■

OPTIONS

PART NUMBER PRICE

Delete utility center (less housing and cover)	144-027	\$230.00 Deduct	■
Delete handpiece station with tubing		\$50.00 Deduct	■
Additional handpiece station with tubing (dry only)		\$125.00 Add	■
2" dia. post mount rigid arm, 24"	106-302	n/c	■
Additional umbilical tubing (per foot)		\$9.00 Add	■

Dual Water Bottle Kit
110-052, page 85
\$410.00



Water Bottle Kit
110-004, page 85
\$144.00



Handpiece Illumination System
with Delay, 5 and 6 pin
pages 91 and 92



Wall Mounting Plate
105-316
\$120.00



Hepa Filter
119-027
\$27.50
page 76



Utility Center Housing
144-015, page 84
\$90.00



Wall Mount Board
106-209



Amdent Scaler (sold separately)
114-050
\$1,198.00
Installation kit with transformer
114-051
\$160.00



Installation Fee \$50.00

Foot Controls, page 87

126-133 Chip Blower \$86.00 Add
126-160 Wet/Dry \$85.50 Add
126-203 Wet/Dry Chip Blower \$133.00 Add

REAR DELIVERY SYSTEMS



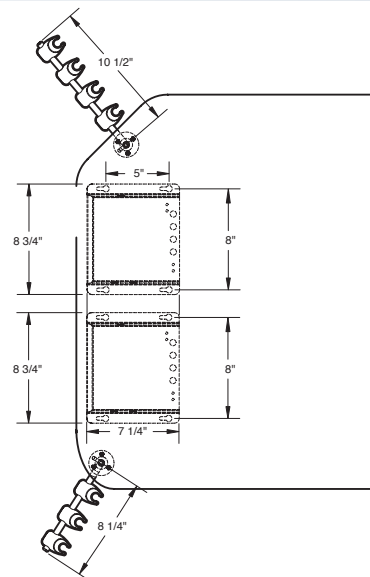
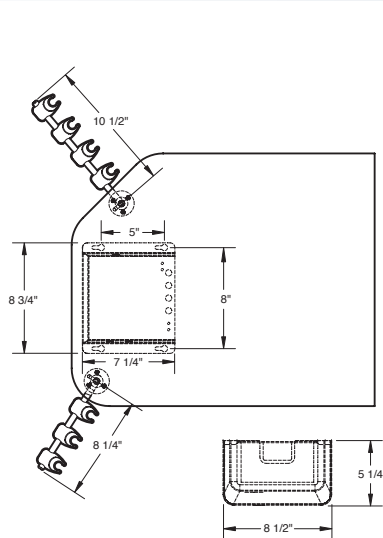
RD-3000

3 HP Automatic Rear Delivery
Beneath Shelf Mount Control Head
with Dual Water Bottle System
\$2,520.00

RD-3001

3 HP Automatic Rear Delivery
Beneath Shelf Mount Control Head
\$2,420.00

DIMENSIONS



FEATURES FOR REAR DELIVERY SYSTEMS

RD-3000 RD-3001

Automatic selection for 3 handpieces	■	■
Integrated dual bottle system	■	
Standard air and water quick disconnects	■	
Individual handpiece water coolant control	■	■
Individual handpiece pressure adjustment	■	■
Doctor's side has 10-1/2" cabinet mounted pivoting bar	■	■
Assistant's side has 8-1/2" cabinet mounted pivoting holder bar with vacuum trap	■	■
1 each HVE, SE and IC syringe	■	■
Soft-touch variable speed foot control	■	■
Vacuum canister with removable screen (uses 131-052 screen)	■	■
Dual 3-way syringes with quick change autoclavable tip	■	■
Master ON/OFF toggle	■	■
Plated brass valving for long life	■	■
Asepsis handpiece tubing, sterling (specify straight or coiled)	■	■
Master valve assembly with filter and regulator	■	■
7' umbilical tubing	■	■

OPTIONS

PART NUMBER PRICE

Delete handpiece station with tubing		\$50.00 Deduct	■	■
1/4" air or water quick disconnect	030-010	\$21.00 Add		■
Additional umbilical tubing (per foot)		\$9.00 Add	■	■

Dual Water Bottle Kit
110-052, page 85
\$410.00 (RD-3001)



Water Bottle Kit
110-004, page 85
\$144.00 (RD-3001)



Handpiece Illumination System
with Delay, 5 and 6 pin
pages 91 and 92



Additional HVE Valve with
Tubing and Holder
030-014
\$73.00



Foot Controls, page 87

126-133 Chip Blower	\$86.00 Add
126-160 Wet/Dry	\$85.50 Add
126-203 Wet/Dry Chip Blower	\$133.00 Add

REAR DELIVERY SYSTEMS

NEW



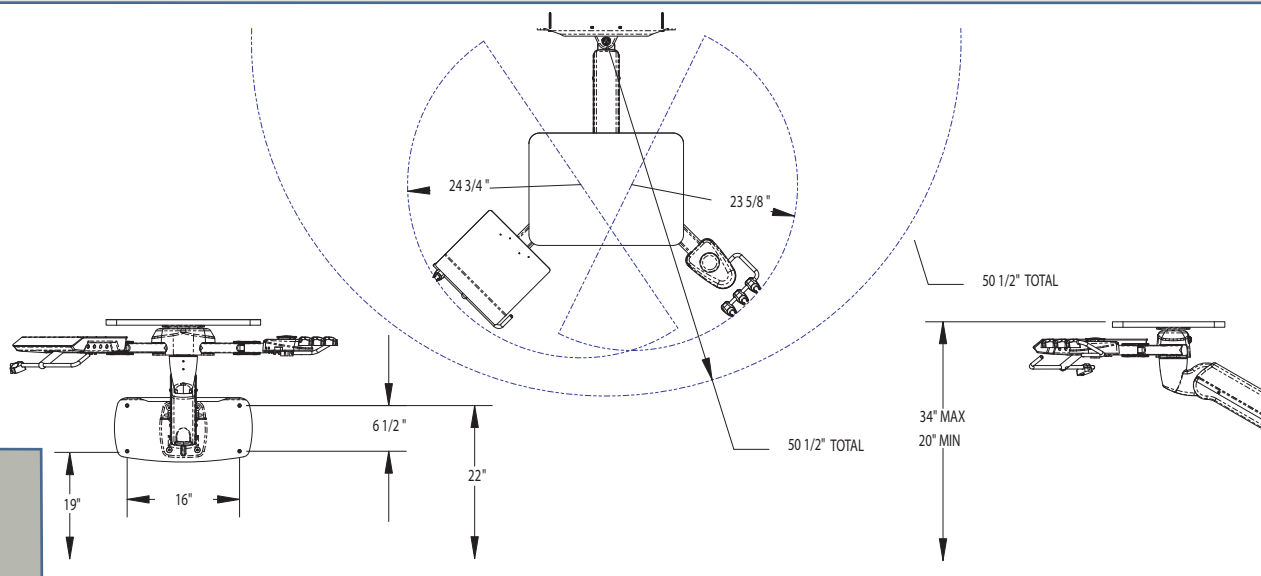
RD-4250

3 HP Automatic Rear Delivery
Wall Mounted Duo System with Pneumatic Brake Flex Arm
\$5,350.00

RD-4251

Wall Mounted Assistant's Side Only
with Pneumatic Brake Flex Arm
\$3,825.00

DIMENSIONS



FEATURES FOR REAR DELIVERY SYSTEMS

RD-4250 RD-4251

Automatic selection for 3 handpieces	■	
Individual handpiece water coolant control	■	
Individual handpiece pressure adjustment	■	
1 each HVE, SE and IC syringe	■	■
Soft-touch variable speed foot control	■	
Vacuum canister with removable screen (uses 131-052 screen)	■	■
Dual 3-way syringes with quick change autoclavable tip	■	
Master ON/OFF toggle	■	
Plated brass valving for long life	■	
Asepsis handpiece tubing, sterling (specify straight or coiled)	■	
Master valve assembly with filter and regulator	■	
7' umbilical tubing	■	■
Wall Mounting Plate	■	■

OPTIONS

PART NUMBER PRICE

Delete handpiece station with tubing		\$50.00 Deduct	■
1/4" water quick disconnect	030-010	\$21.00 Add	■
Additional umbilical tubing (per foot)		\$9.00 Add	■ ■
Storage organizer	110-016	\$250.00 Add	■ ■
QD Kit (3/8" QD's with mounting bracket and hardware)	030-013	\$47.00 Add	■ ■
QD Kit (1/4" QD's with mounting bracket and hardware)	030-015	\$25.00 Add	■ ■

Dual Water Bottle Kit
110-052, page 85
\$410.00



Water Bottle Kit
110-004, page 85
\$144.00



Additional HVE Valve with
Tubing and Holder
030-014
\$73.00



Extension Arm
105-315
\$280.00



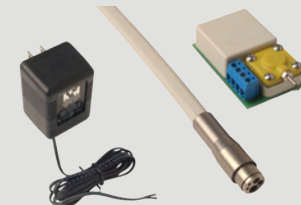
Utility Center Housing
144-015, page 84
\$90.00



Hepa Filter
119-027
\$27.50
page 76



Handpiece Illumination System
with Delay, 5 and 6 pin
pages 91 and 92



Amdent Scaler (sold separately)
114-050
\$1,198.00
Installation kit with transformer
114-051
\$160.00



Installation Fee \$50.00

Foot Controls, page 87

126-133 Chip Blower \$86.00 Add
126-160 Wet/Dry \$85.50 Add
126-203 Wet/Dry Chip Blower \$133.00 Add



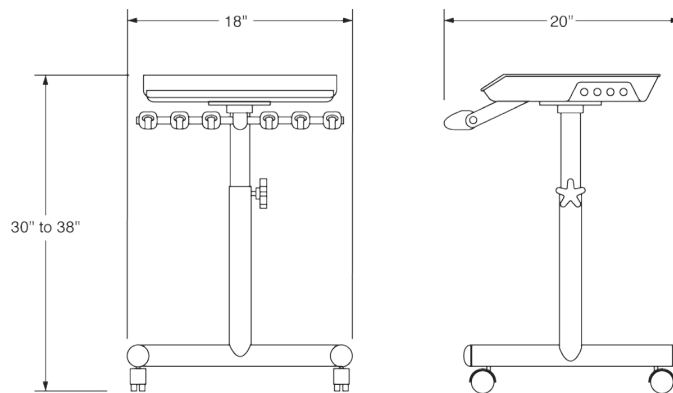
S-4100

3 HP Automatic Doctor's Cart
\$2,120.00

S-4150

3 HP Automatic Duo Cart with Vacuum
\$2,360.00

DIMENSIONS



FEATURES FOR CART SYSTEMS

S-4100 S-4150

Asepsis designed automatic selection for 3 handpieces	■	■
Side-mounted control adjustments	■	■
3-way syringe with quick change autoclavable tip	■	■
Master ON/OFF toggle with indicator	■	■
Pressure adjustment for each handpiece	■	■
Easy to read pressure gauge (protected under cover)	■	■
Non-retracting water coolant adjustment, air coolant adjustment and purge	■	■
Plated brass valving for long life	■	■
Asepsis handpiece tubing, sterling (specify straight or coiled)	■	■
Painted H-frame with height adjustment, 27" to 35"	■	■
Vacuum canister with removable screen (uses 131-053 screen)		■
1 autoclavable HVE and saliva ejector valve, tubing and holder		■
Soft-touch variable speed foot control	■	■
Utility center assembly, 14" x 9" x 5-3/8"	■	■
7' umbilical tubing	■	■

OPTIONS

PART NUMBER PRICE

Delete utility center	144-018	\$315.00 Deduct	■	■
Delete handpiece station with tubing		\$50.00 Deduct	■	■
Additional handpiece station with tubing (dry only)		\$125.00 Add	■	■
Additional syringe for doctor or assistant's side	113-515	\$99.00 Add	■	■
Additional umbilical tubing (per foot)		\$9.00 Add	■	■

Dual Water Bottle Kit
110-051, page 85
\$450.00



Water Bottle Kits, page 85
110-004 \$144.00
110-028 \$180.00



Handpiece Illumination System
with Delay, 5 and 6 pin
pages 91 and 92



Additional HVE Valve with
Tubing and Holder
030-014
\$73.00 (S-4150)



Hepa Filter
119-027
\$27.50
page 76



Amdent Scaler (sold separately)
114-050
\$1,198.00
Installation kit with transformer
114-051
\$160.00

Installation Fee \$50.00



Foot Controls, page 87

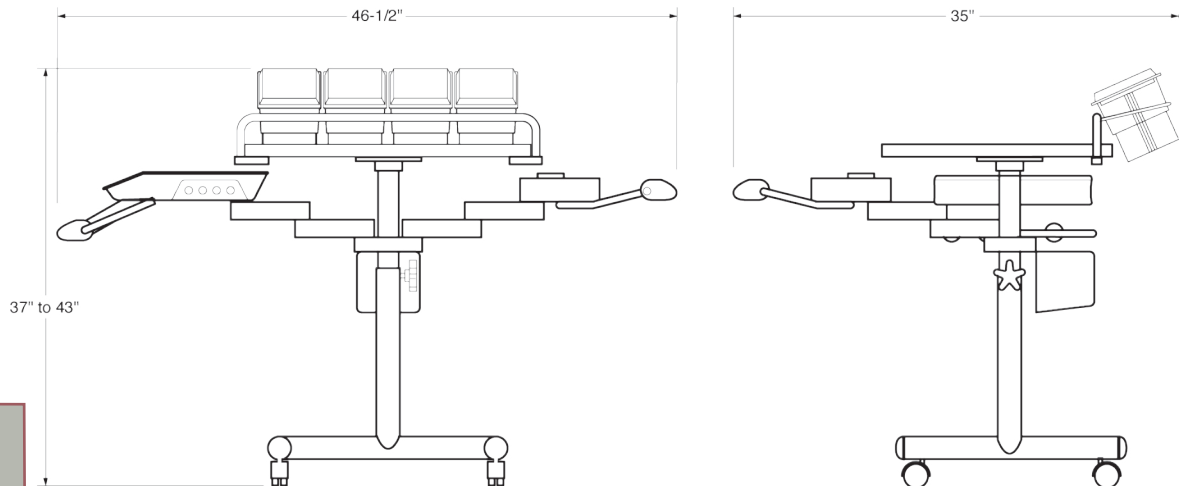
126-133 Chip Blower \$86.00 Add
126-160 Wet/Dry \$85.50 Add
126-203 Wet/Dry Chip Blower \$133.00 Add



S-4250

3 HP Automatic Duo Swing Cart
with Vacuum
\$3,450.00

DIMENSIONS



FEATURES FOR CART SYSTEMS

S-4250

Pivoting arm mounted asepsis designed automatic selection for 3 handpieces	■
Side-mounted control adjustments	■
360° swing for easy left/right conversion	■
Master ON/OFF toggle with indicator	■
Pressure adjustment for each handpiece	■
Easy to read pressure gauge (protected under cover)	■
Non-retracting water coolant, air coolant adjustment and purge	■
Plated brass valving for long life	■
Asepsis handpiece tubing, sterling (specify straight or coiled)	■
Large work surface, 16" x 22", lite gray	■
Storage organizer assembly	■
Painted H-frame with height adjustment, 27" to 35"	■
Pivoting arm mounted vacuum canister with removable screen (uses 131-053 screen)	■
3-way syringe with quick change autoclavable tip	■
1 autoclavable HVE and saliva ejector valve, tubing and holder	■
Soft-touch variable speed foot control	■
Utility center assembly, 14" x 9" x 5-3/8"	■
7' umbilical tubing	■

OPTIONS

PART NUMBER PRICE

Delete utility center	144-018	\$315.00 Deduct	■
Delete handpiece station with tubing		\$50.00 Deduct	■
Additional handpiece station with tubing (dry only)		\$125.00 Add	■
Additional syringe on doctor's side	113-515	\$99.00 Add	■
Delete storage organizer	110-016	\$220.00 Deduct	■
QD Kit (1/4" and 3/8" QD's with mounting bracket and hardware)	030-013	\$47.00 Add	■
Additional umbilical tubing (per foot)		\$9.00 Add	■

Dual Water Bottle Kit
110-051, page 85
\$450.00



Water Bottle Kits, page 85
110-004 \$144.00 110-028 \$180.00



Handpiece Illumination System
with Delay, 5 and 6 pin
pages 91 and 92



Hepa Filter
119-027
\$27.50
page 76

Additional HVE Valve with
Tubing and Holder
030-014
\$73.00



Arm-mounted Tray Holder
105-053, page 70
\$250.00



Amdent Scaler (sold separately)
114-050
\$1,198.00
Installation kit with transformer
114-051
\$160.00



Installation Fee \$50.00

Foot Controls, page 87

126-133 Chip Blower \$86.00 Add
126-160 Wet/Dry \$85.50 Add
126-203 Wet/Dry Chip Blower \$133.00 Add



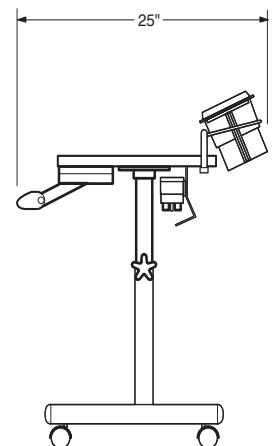
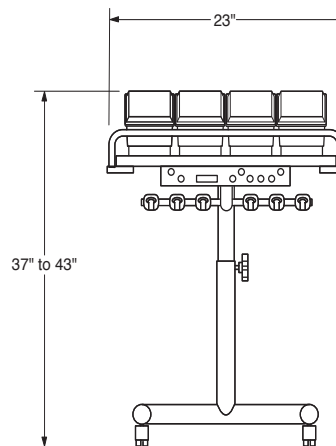
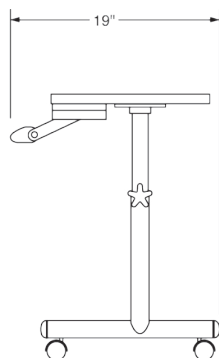
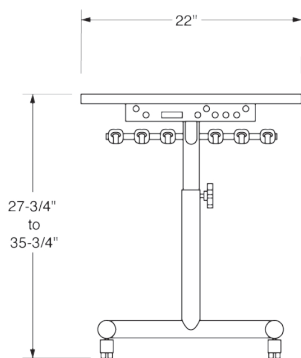
A-4100

3 HP Automatic Doctor's Cart
\$2,240.00

A-4150

3 HP Automatic Doctor's Cart
with Vacuum
\$2,640.00

DIMENSIONS



FEATURES FOR CART SYSTEMS

	A-4100	A-4150
Automatic selection for 3 handpieces	■	■
3-way syringe with quick change autoclavable tip	■	■
Master ON/OFF toggle with indicator	■	■
Pressure adjustment for each handpiece	■	■
Easy to read pressure gauge	■	■
Non-retracting water coolant adjustment, air coolant adjustment and purge	■	■
Plated brass valving for long life	■	■
Asepsis handpiece tubing, sterling (specify straight or coiled)	■	■
Large work surface, 16" x 22", lite gray	■	■
Storage organizer assembly		■
Painted H-frame with height adjustment, 27" to 35"	■	■
Vacuum canister with removable screen (uses 131-052 screen)		■
1 autoclavable HVE and saliva ejector valve with tubing		■
Soft-touch variable speed foot control	■	■
Utility center assembly, 14" x 9" x 5-3/8"	■	■
7' umbilical tubing	■	■

OPTIONS

	PART NUMBER	PRICE		
Delete utility center	144-018	\$315.00 Deduct	■	■
Delete handpiece station with tubing		\$50.00 Deduct	■	■
Additional handpiece station with tubing (dry only)		\$125.00 Add	■	■
Additional syringe on assistants side	113-515	\$99.00 Add	■	■
Delete storage organizer assembly	110-016	\$220.00 Deduct		■
QD Kit (1/4" and 3/8" w/mounting bracket and hardware)	030-013	\$47.00 Add	■	■
Additional umbilical tubing (per foot)		\$9.00 Add	■	■

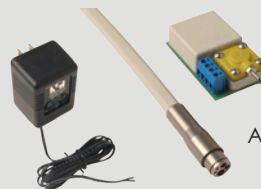
Dual Water Bottle Kit
110-051, page 85
\$450.00



Water Bottle Kits, page 85
110-004 \$144.00 110-028 \$180.00



Handpiece Illumination System
with Delay, 5 and 6 pin
pages 91 and 92



Additional HVE Valve with
Tubing and Holder
030-014
\$73.00 (A-4150)



Arm-mounted Tray Holder
105-053, page 70
\$250.00



Foot Controls, page 87

126-133 Chip Blower	\$86.00 Add
126-160 Wet/Dry	\$85.50 Add
126-203 Wet/Dry Chip Blower	\$133.00 Add



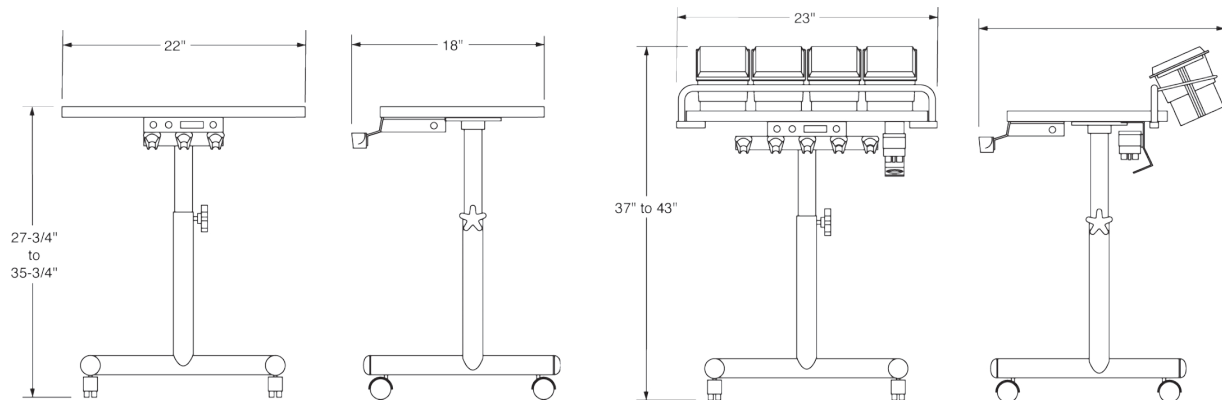
A-2100

2 HP Automatic Cart
\$1,750.00

A-2150

2 HP Automatic Hygienist's Cart
\$2,150.00

DIMENSIONS



FEATURES FOR CART SYSTEMS

A-2100

A-2150

Automatic selection for 2 handpieces (1 wet, 1 dry)	■	■
3-way syringe with quick change autoclavable tip	■	■
Master ON/OFF toggle	■	■
Pressure adjustment for each handpiece	■	■
Non-retracting water coolant	■	■
Water coolant ON/OFF and flow control	■	■
Easy to read pressure gauge	■	■
Plated brass valving for long life	■	■
Asepsis handpiece tubing, sterling (specify straight or coiled)	■	■
Large work surface, 16" x 22", light gray	■	■
Storage organizer assembly		■
Painted H-frame with height adjustment, 27" to 35"	■	■
Vacuum canister with removable screen (uses 131-052 screen)		■
1 autoclavable HVE and saliva ejector valve with tubing		■
Soft-touch variable speed foot control	■	■
Utility center assembly, 14" x 9" x 5-3/8"	■	■
7' umbilical tubing	■	■

OPTIONS

PART NUMBER PRICE

Delete utility center	144-018	\$315.00 Deduct	■	■
Water coolant to both handpieces		\$32.00 Add	■	■
Handpiece coolant purge		\$32.00 Add	■	■
1/4" air or water quick disconnect	030-010	\$21.00 Add	■	■
QD Kit (1/4" and 3/8" with mounting bracket and hardware)	030-013	\$47.00 Add	■	■
Delete storage organizer assembly	110-016	\$220.00 Deduct		■
Additional umbilical tubing (per foot)		\$9.00 Add	■	■

Dual Water Bottle Kit
110-051, page 85
\$450.00



Water Bottle Kits, page 85
110-004 \$144.00
110-028 \$180.00



Handpiece Illumination System
with Delay, 5 and 6 pin
pages 91 and 92



Arm-mounted Tray Holder
105-053, page 70
\$250.00





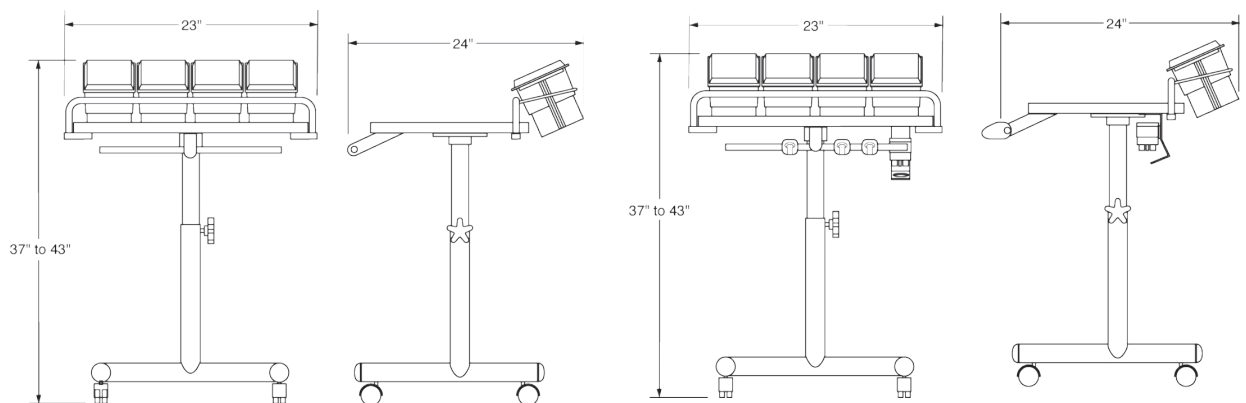
A-4500

Assistant's Cart
\$1,020.00

A-4550

Assistant's Cart with Vacuum
\$1,390.00

DIMENSIONS



FEATURES FOR REAR DELIVERY SYSTEMS

	A-4500	A-4550
Large work surface, 16" x 22", light gray	■	■
Storage organizer assembly	■	■
Painted H-frame with height adjustment, 27" to 35"	■	■
Vacuum canister with removable screen (uses 131-052 screen)		■
3-way syringe with quick change autoclavable tip		■
1 autoclavable HVE and saliva ejector valve with tubing		■
7' umbilical tubing	■	■

OPTIONS

	PART NUMBER	PRICE	
Delete storage organizer assembly	110-016	\$220.00 Deduct	■
QD Kit (1/4" & 3/8" with mounting bracket & hardware)	030-013	\$47.00 Add	■
Additional umbilical tubing (per foot)		\$9.00 Add	■

Water Bottle Kits, page 85

110-004 110-028
\$144.00 \$180.00



Arm-mounted Tray Holder

105-053, page 70
\$250.00



Utility Center Assembly

144-018, page 84
\$350.00



Additional HVE Valve with Tubing and Holder

030-014
\$73.00 (A-4550)



H ANDPIECE C ONTROL H EADS



FILTER/REGULATORS MUST
BE ORDERED SEPARATELY

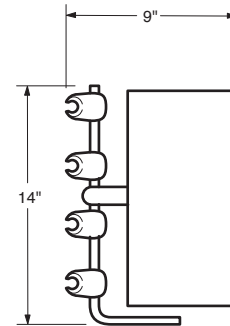
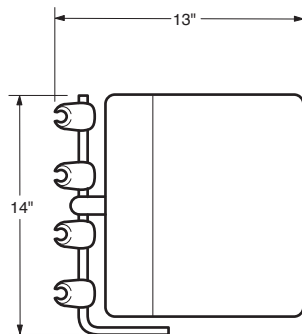
S-330

3 HP Automatic Control Head Only (tray not included)
\$1,380.00

A-300





3 HP Automatic Control Head Only
\$1,240.00

D IMENSIONS




F EATURES FOR CONTROL HEADS SYSTEMS	S-330	A-300
Automatic selection for 3 handpieces	■	■
Side-mounted recessed control adjustments	■	
3-way syringe with quick change autoclavable tip	■	■
Master ON/OFF toggle with indicator	■	■
Pressure adjustment for each handpiece	■	■
Non-retracting water coolant adjustment and purge	■	■
Water coolant ON/OFF and flow control	■	■
Easy to read pressure gauge	■	■
Air coolant flow adjustment	■	■
Plated brass valving for long life	■	■
Asepsis handpiece tubing, sterling (specify straight or coiled)	■	■
Soft-touch variable speed foot control	■	■
7' umbilical tubing	■	■

O PTIONS	PART NUMBER	PRICE		
Delete handpiece station with tubing		\$50.00 Deduct	■	■
Additional handpiece station with tubing (dry only)		\$120.00 Add	■	■
Add stainless steel tray, 10" x 6-1/2" and pad	010-002	\$50.40 Add	■	■
Add stainless steel tray, 9 3/4" x 13-1/2" and pad	010-001	\$55.65 Add	■	■
Add plastic tray, 9 3/4" x 13-1/2"	010-051	\$15.00 Add	■	■
Additional umbilical tubing (per foot)		\$5.00 Add	■	■

<p style="text-align: center;">Bracket for 1/2" dia. pin mount 105-060, page 68 \$27.50</p> 	<p style="text-align: center;">Utility Center Assembly 144-018, page 84 \$350.00</p> 	<p style="text-align: center;">Handpiece Illumination System with Delay, 5 and 6 pin pages 91 and 92</p> 
<p style="text-align: right;">Hepa Filter 119-027 \$27.50 page 76 (S-330 head only)</p> 		

Amdent Scaler (sold separately)
114-050
\$1,198.00
Installation kit with transformer
114-051
\$160.00 (S-330) Installation Fee \$50.00



Foot Controls, page 87

126-133 Chip Blower \$86.00 Add
126-160 Wet/Dry \$85.50 Add
126-203 Wet/Dry Chip Blower \$133.00 Add

W ALL MOUNT H ANDPIECE C ONTROLS



FILTER/REGULATORS MUST BE ORDERED SEPARATELY

A-220

2 HP Automatic Control
\$590.00

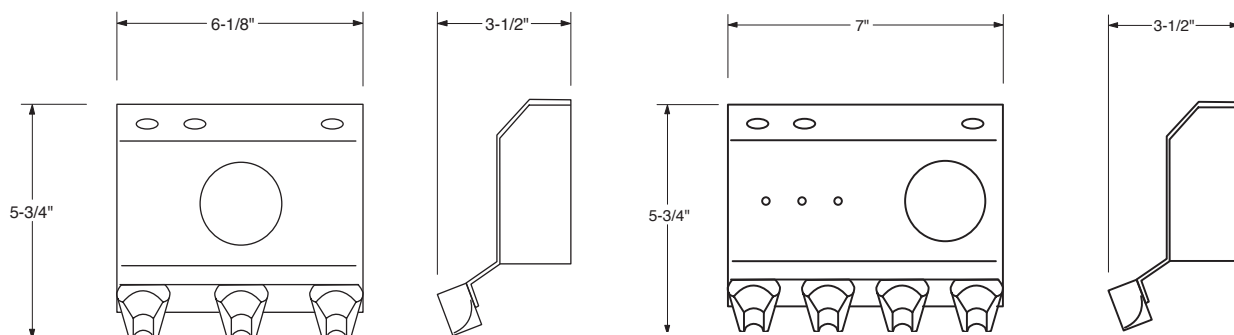
A-400

3 HP Automatic Control
\$920.00

A-222

2 H Automatic Control, Both HP's Wet
\$630.00

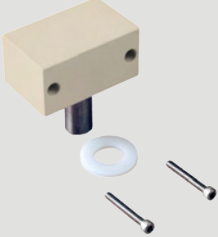
D IMENSIONS




FEATURES FOR WALL MOUNT HANDPIECE CONTROLS	A-220	A-222	A-400
Automatic selection for 2 handpieces	■	■	
Automatic selection for 3 handpieces			■
3-way syringe with quick change autoclavable tip	■	■	■
Master ON/OFF toggle			■
Pressure adjustment for each handpiece	■	■	■
Non-retracting water coolant adjustment for 2 handpieces		■	
Non-retracting water coolant adjustment for 1 handpiece (1 wet, 1 dry)	■		
Easy to read pressure gauge	■	■	■
Plated brass valving for long life	■	■	■
Asepsis handpiece tubing, sterling (specify straight or coiled)	■	■	■
Soft-touch variable speed foot control	■	■	■
7' umbilical tubing	■	■	■

OPTIONS	PART NUMBER	PRICE			
Additional umbilical tubing (per foot)	115-505	\$9.00 Add			■
Additional umbilical tubing (per foot)	115-720	\$2.00 Add	■	■	


1/2" Pivot Mount
103-065, page 68
\$27.30




Utility Center Assembly
144-018, page 84
\$350.00



Handpiece Illumination System
with Delay, 5 and 6 pin
pages 91 and 92



Horizontal Surface Mount Bracket
105-063, page 69
\$16.00



W ALL M OUNT H ANDPIECE C ONTROLS



FILTER/REGULATORS MUST
BE ORDERED SEPARATELY

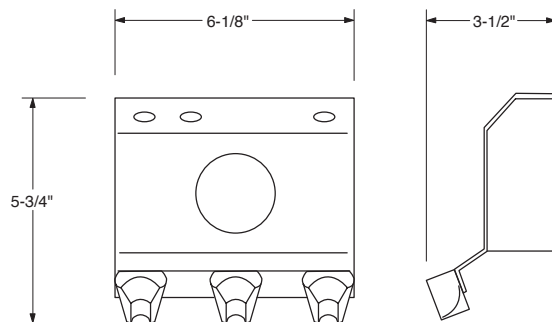
A-200

2 HP Manual Control
\$525.00

A-202

2 HP Manual Control, Both HP's Wet
\$560.00

D IMENSIONS



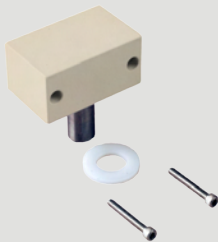
FEATURES WALL MOUNT HANDPIECE CONTROLS

	A-200	A-202
Manual selection for 2 handpieces	■	■
3-way syringe with quick change autoclavable tip	■	■
Individual handpiece pressure adjustment	■	■
Non-retracting water coolant adjustment for 1 handpiece (1 wet, 1 dry)	■	
Non-retracting water coolant adjustment for 2 handpieces		■
Water coolant adjustment	■	■
Easy to read pressure gauge	■	■
Plated brass valving for long life	■	■
Asepsis handpiece tubing, sterling (specify straight or coiled)	■	■
Soft-touch variable speed foot control	■	■
7' umbilical tubing	■	■

OPTIONS

	PART NUMBER	PRICE		
Additional umbilical tubing (per foot)	115-720	\$2.00 Add	■	■

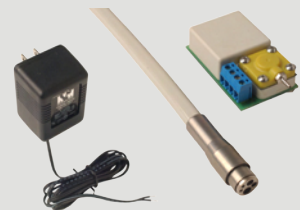
1/2" Pivot Mount
103-065, page 68
\$27.30



Utility Center Assembly
144-018, page 84
\$350.00



Handpiece Illumination System
with Delay, 5 and 6 pin
pages 91 and 92



Horizontal Surface Mount Bracket
105-063, page 69
\$16.00



W ALL M OUNT H ANDPIECE C ONTROLS



FILTER/REGULATORS MUST BE ORDERED SEPARATELY

A-100

1 HP Control
\$465.00

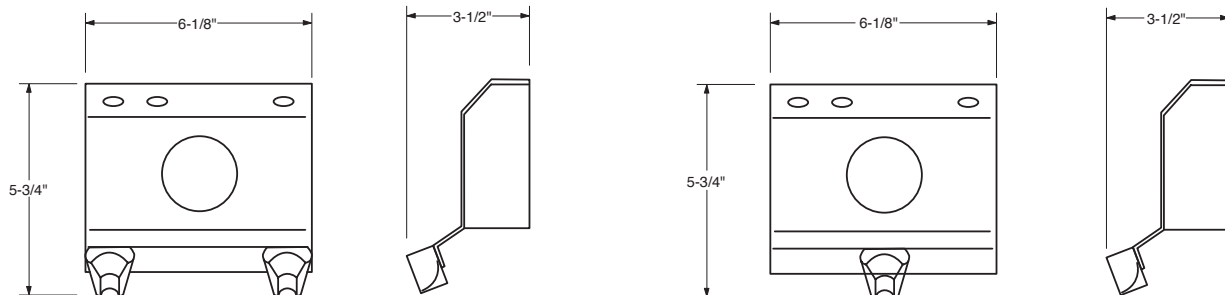
A-050

Lab HP Control Kit
\$230.00

A-101




Lab HP Control
\$272.00

D IMENSIONS



F EATURES FOR WALL MOUNT HANDPIECE CONTROLS	A-100	A-101	A-050
Single handpiece control with coolant	■		
Single handpiece control without coolant		■	■
3-way syringe with quick change autoclavable tip	■		
Handpiece pressure adjustment	■	■	■
Non-retracting water coolant	■		
Water coolant ON/OFF and flow control	■		
Easy to read pressure gauge	■	■	■
Plated brass valving for long life	■	■	■
Asepsis handpiece tubing, sterling (specify straight or coiled)	■	■	■
Soft-touch variable speed foot control	■	■	■
7' umbilical tubing	■		
7' of 1/4" air supply line		■	■

O PTIONS	PART NUMBER	PRICE	
Additional umbilical tubing (per foot)		\$2.00 Add	■

<p>1/2" Pivot Mount 103-065, page 68 \$27.30</p> 	<p>Horizontal Surface Mount Bracket 105-063, page 69 \$16.00</p> 	<p>Utility Center Assembly 144-018, page 84 \$350.00</p> 
--	--	--

PANEL MOUNT HANDPIECE CONTROLS



FILTER/REGULATORS MUST
BE ORDERED SEPARATELY



PM-200

2 HP Manual Control
\$680.00

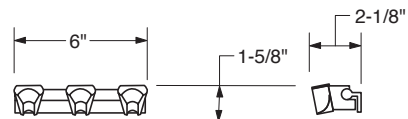
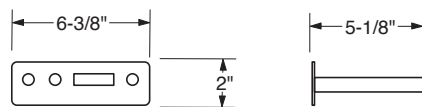
PM-400

3 HP Automatic Control
\$1,010.00

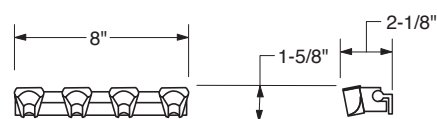
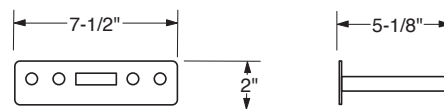
PM-220 (not shown)

2 HP Automatic Control
\$770.00

DIMENSIONS



Cutout Dimensions: 5-1/2" x 1-3/4"



Cutout Dimensions: 6-5/8" x 1-3/4"

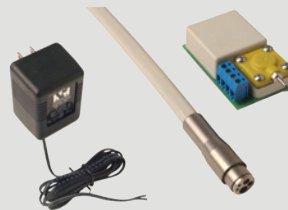
F EATURES PANEL MOUNT HANDPIECE CONTROLS	PM-200	PM-220	PM-400
Automatic selection for 3 handpieces			■
Automatic selection for 2 handpieces		■	
Manual selection for 2 handpieces	■		
3-way syringe with quick change autoclavable tip	■	■	■
Instrument holder bar, 6"	■	■	
Instrument holder bar, 8"			■
Master ON/OFF toggle with indicator			■
Pressure adjustment for each handpiece	■	■	■
Non-retracting water coolant adjustment for each handpiece			■
Water coolant adjustment, for 3 handpieces			■
Water coolant adjustment, high speed handpiece only		■	■
Easy to read pressure gauge	■	■	■
Plated brass valving for long life	■	■	■
Asepsis handpiece tubing, sterling (specify straight or coiled)	■	■	■
Soft-touch variable speed foot control	■	■	■
7' umbilical tubing	■	■	■

O PTIONS	PART NUMBER	PRICE			
Water coolant to both handpieces		\$32.00 Add	■	■	
Additional umbilical tubing (per foot)	115-720	\$2.00 Add	■	■	
Additional umbilical tubing (per foot)	115-505	\$9.00 Add			■

Utility Center Assembly
144-018, page 84
\$350.00



Handpiece Illumination System
with Delay, 5 and 6 pin
pages 91 and 92



CUSPIDORS



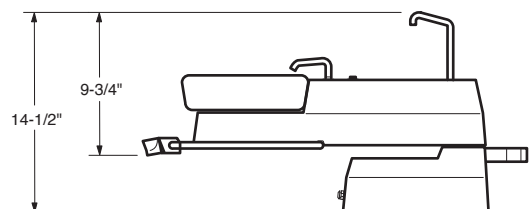
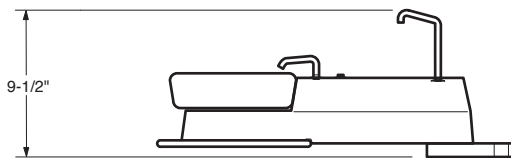
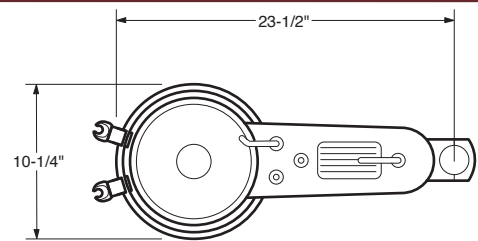
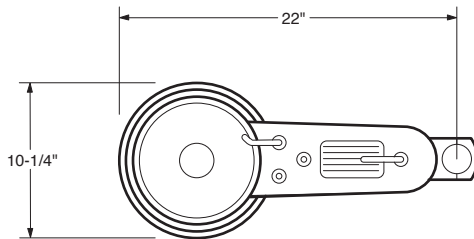
C-3200

Asepsis Design Cuspidor
\$900.00

C-3250

Asepsis Design Cuspidor with Vacuum
Accessory Group and water QD
\$1,242.00

DIMENSIONS



FEATURES FOR CUSPIDORS

	C-3200	C-3250
Easy clean asepsis design	■	■
Ceramic bowl	■	■
Quick release autoclavable cup filler and bowl rinse spout	■	■
Adjustable timed bowl rinse	■	■
Gravity drain with dual venting	■	■
Vacuum canister with removable screen (uses 131-052 screen)		■
1 autoclavable HVE and saliva ejector valve with tubing		■
1/4" Female water quick disconnect		■
Low voltage electric vacuum switch		■
2" dia. post mount	■	■
6' umbilical tubing	■	■

OPTIONS

	PART NUMBER	PRICE		
1/4" air or water quick disconnect	030-010	\$21.00 Add	■	
Additional umbilical (per foot)		\$7.00 Add		■
Additional umbilical (per foot)		\$5.00 Add	■	
Timed cup filler	132-121	\$150.00 Add	■	■

Shatterproof
Polycarbonate Bowl
132-114, page 99
Deduct \$16.00



Additional HVE Valve with Tubing and
Holder (C-3250 only)
030-016
\$72.50



3-way Syringe with Quick Change
Autoclavable Tip with
Tubing and Holder
113-514
\$99.50



VACUUM ARM SYSTEMS



A-5200

Telescoping Arm System with Vacuum Package
1 HVE, 1 SE, 1 Syringe
\$793.00

A-5000

Horizontal Folding Arm, 24", 2" Post Mount
with Vacuum Package
\$620.00

A-5221 (not shown)

Telescoping Arm System with Vacuum Package
1 HVE, 1 SE, no Syringe
\$696.50

A-5032 (not shown)

Horizontal Folding Arm, 32", 2" Post Mount
with Vacuum Package
\$626.00

A-5222 (not shown)

Telescoping Arm System with Vacuum Package
2 HVE, 1 SE, no Syringe
\$746.50

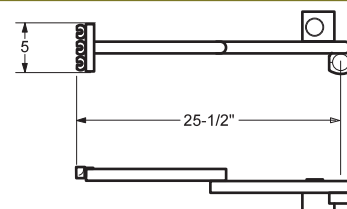
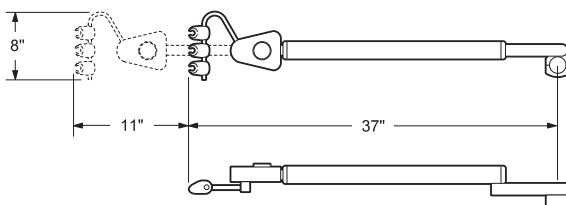
A-5124 (not shown)

Horizontal Folding Arm, 24", Wall Mount
with Vacuum Package
\$606.00

A-5132 (not shown)




Horizontal Folding Arm, 32", Wall Mount
with Vacuum Package
\$612.00

DIMENSIONS



FEATURES FOR VACUUM ARM SYSTEMS	A-5200	A-5221	A-5222
Telescoping arm with breakaway feature, 31" to 42" horizontal reach	■	■	■
Holder bar with 3 holders	■		■
3-way syringe with quick change autoclavable tip	■		
Flow adjustment for 3-way syringe	■		
Vacuum canister with removable screen (uses 131-053 screen)	■	■	■
1 autoclavable HVE and saliva ejector valve with tubing		■	
2 autoclavable HVE and saliva ejector valve with tubing			■
2" dia. post mount	■	■	■
8' umbilical tubing	■	■	■

OPTIONS	PART NUMBER	PRICE			
Additional umbilical (per foot)		\$10.00 Add	■	■	■
Pivoting tray mount assembly for 9-3/4" x 1-1/2" 105-096 instrument tray	105-096	\$100.00 Add	■	■	■
Stainless steel instrument tray, 9-3/4" x 1-1/2"	010-001	\$52.50 Add	■	■	■

<p>A-5200 with Tray \$152.50 add</p> 	<p>Substitute Wall Mount Bracket 105-018, page 69 N/C</p> 	<p>Additional HVE Valve with Tubing and Holder 030-014 \$73.00 (A-5200)</p> 
---	--	--

FEATURES FOR VACUUM ARM SYSTEMS	A-5000	A-5032	A-5124	A-5132
Folding arm, 24"	■		■	
Folding arm, 32"		■		■
Holder bar with 3 holders	■	■	■	■
3-way syringe with quick change autoclavable tip	■	■	■	■
Flow adjustment for 3-way syringe	■	■	■	■
Vacuum canister with removable screen (uses 131-052 screen)	■	■	■	■
1 autoclavable HVE and saliva ejector valve with tubing	■	■	■	■
2" dia. post mount	■	■		
Wall mount bracket			■	■
5' umbilical tubing	■	■	■	■

OPTIONS	PART NUMBER	PRICE				
Water quick disconnect			■	■	■	■
with flow control	030-012	\$37.00 Add	■	■	■	■
Additional umbilical (per foot)	\$7.00 Add		■	■	■	■

<p>Additional HVE Valve with Tubing and Holder Bar 030-018 \$70.40</p> 

VACUUM ARM SYSTEMS



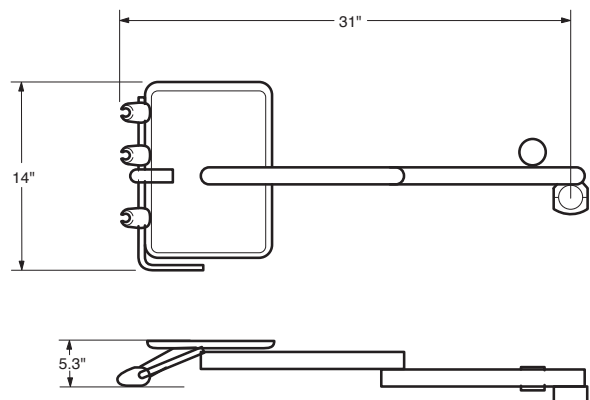
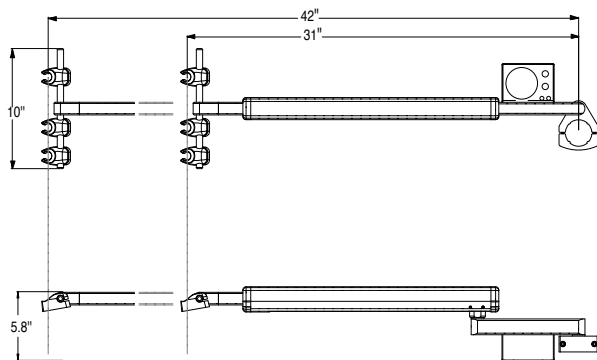
A-5230

2" dia. Post Mount Hygiene System
with Vacuum Telescoping Arm
\$850.00

A-5524

1 HP, 2" dia. Post Mount Hygiene System with Folding Arm
and Vacuum Package
\$900.00

DIMENSIONS



FEATURES FOR VACUUM ARM SYSTEMS

A-5230

A-5524

1 (dry only) handpiece		■
Folding arm, 24"		■
Tray mount with holder bar with 3 holders		■
3-way syringe with quick change autoclavable tip	■	■
Flow adjustment for 3-way syringe	■	■
1/4" Female Water quick disconnect	■	
Asepsis handpiece tubing, sterling		■
Plastic instrument tray, 9-3/4" x 13-1/2"		■
Vacuum canister with removable screen (uses 131-052 screen)	■	■
1 saliva ejector valve with tubing	■	■
Soft-touch variable speed foot control		■
2" dia. post mount	■	■
5' umbilical tubing	■	
7' umbilical tubing		■

OPTIONS

PART NUMBER PRICE

Water quick disconnect with flow control	030-012	\$48.00 Add		■
Unit mount post, 28" with bushing	146-202	\$110.00 Add	■	■
Unit/light post, 40" with bushing	146-203	\$130.00 Add	■	■
Jacketed tubing (per foot)	115-052	\$5.00 Add	■	■

Dual Water Bottle Kits, page 85

Post 110-051 Wall 110-052
\$450.00 \$410.00



Water Bottle Kits, page 85

110-004 110-028
\$144.00 \$180.00



Additional HVE Valve with Tubing and Holder

030-014
\$73.00



OPERATORY **L**IGHT AND **S**TOOLS



CLX-110 **C**LX-220

\$1,060.00



DR-96

Doctor's Stool
\$444.00

AT-96

Assistant's Stool
\$620.00

F EATURES FOR CLX LIGHT	CLX-110	CLX-220
Lamp head may be adjusted vertically, horizontally or diagonally	■	■
Sharply defined rectangular light pattern	■	■
3800° to 4500° Kelvin temperature (ideal for shade matching and examination)	■	■
Easy reach ON/OFF/intensity switch	■	■
2-way switch for low (12,000 LUX) and high (24,000 LUX) intensity	■	■
Reflector with dichroic coating filters out infrared rays, providing cool light	■	■
12V—55 Watt tungsten halogen H-3 bulb with twin filaments	■	■
Easy bulb replacement	■	■
Easy open safety shield allows for cleaning	■	■
Requires Celux/Pelton light bushing (Part number 146-008)	■	■
Illuminated pattern at 28" is 3" x 7"	■	■
110 Volt	■	
220 Volt		■

F EATURES FOR STOOLS	DR-96	AT-96
Contoured seamless seat	■	
Round seat, 15-1/2" x 4", stitched		■
Chrome plated back upright	■	
Contoured seamless semi-rectangular back upright		■
Chrome plated, full padded body support	■	
Chrome plated, pneumatic cylinder with height adjustment, 18" to 22-1/2"	■	
Chrome plated, pneumatic cylinder with height adjustment, 20-1/2" to 27-1/2"	■	
5-leg, brushed aluminum base	■	■
Twin wheel casters (see page 96)	■	■
Adjustable footring	■	
Full range of colors (please specify, see chart pages 106 and 107)	■	■

O PTIONS	PART NUMBER	PRICE		
Contoured seamless seat		n/c		■
Racheting body support with plastic cover		\$150.00 Add		■
Rubber wheel casters, set of 5		\$45.00 Add	■	■
Nauga Soft upholstery (see color chart page 107)		n/c	■	■

C OLOR OPTIONS (STANDARD)	PART NUMBER	PRICE		
Gray	363556	N/C	■	■
Light Gray	363780	N/C	■	■
Natural	363537	N/C	■	■
Coffee Cream	363538	N/C	■	■
New Burgundy	363546	N/C	■	■
Black Plum	363767	N/C	■	■
Mauve	363783	N/C	■	■
Colonial Blue	363554	N/C	■	■
Midnight Blue	363786	N/C	■	■
Horizon Blue	363553	N/C	■	■
Jade	363552	N/C	■	■
Hunter Green	363551	N/C	■	■

AMUDENT ULTRASONIC SCALER



AMUDENT ULTRASONIC PIEZO SCALER

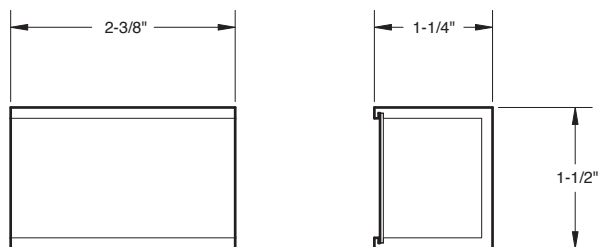
Part No. 114-050 (Sold Separately)\$1,198.00
 Part No. 114-051 Installation kit with transformer\$160.00
 Part No. 016-005 Transformer 24V 1 amp.\$110.00

- May be installed in most 3 handpiece automatic systems
- Activated by the unit foot control
- Small electronic box, 2-3/8" L X 1-1/2" W X 1-1/4" H
- Quick-a-Tip™ system allows tips to be changed easily
- 3 tips included
- 2 year warranty provided by Amdent USA
- Manufactured in Sweden

TECHNICAL DATA

- Absorbed Power: Max 15 W
- Scaler: Max 10 W, 24 - 28 kHz, automatic tuning
- Water Pressure: 30 - 145 psi
- Water Consumption: 10 -50 cc/min
- Approvals: ETL, according to UL-2601-1
- Classification according to Medical Device Directive 93/42 EEC: Class IIa

DIMENSIONS



NOTE:

For an additional charge of \$50.00 net, Beaverstate Dental can build our S-3300, S-3500 & S-4200 series systems to accommodate the installation of the Amdent scaler. Due to space constraints and complexity of installation, we do not offer the scaler on all systems. It will be necessary for a qualified service technician to complete the installation in the field. Building a unit to accommodate the Amdent scaler is considered a custom option and may add to delivery time.

ASEPSIS TOP POST MOUNT FLEX ARM SYSTEM WITH PNEUMATIC BRAKE

- Part No. 106-306, top post mount \$840.00
 Arm bushing \$21.00
- Requires 146-208 bushing if used with Beaverstate post
 - Requires 146-008 bushing if used with other mfg's post
 - Includes control mounting bracket
 - Weight adjustments from 3 to 15 lbs



ASEPSIS 2" DIA. POST MOUNT FLEX ARM SYSTEM WITH PNEUMATIC BRAKE

- Part No. 106-300, 2" post mount \$840.00
- Includes control mounting bracket
 - Weight adjustments from 3 to 15 lbs



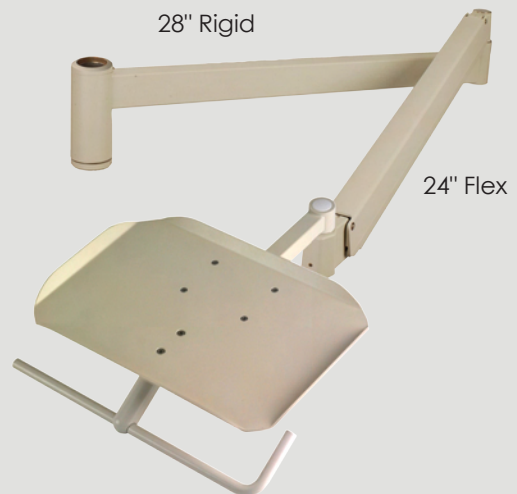
ASEPSIS 2" DIA. MOUNT FLEX ARM SYSTEM WITH PNEUMATIC BRAKE

- Part No. 106-309 \$840.00
- Requires 2" wall mount, 106-205, page 69 \$100.00
 - Short rigid ideal for side delivery
 - Includes control mounting bracket
 - Weight adjustments from 3 to 15 lbs



MANUAL 2" DIA. POST MOUNT FLEX ARM SYSTEM W/FRICTION BRAKE AND TRAY

- Part No. 106-223, 63" reach, 27" vertical travel with light spring, 0 to 7 lbs. \$730.00
- Measures 15" deep x 13-1/2" wide
 - Holds 9-3/4" x 13-1/2" tray
 - Uses optional 010-001 stainless steel tray (page 70)



CONTROL MOUNT ARM

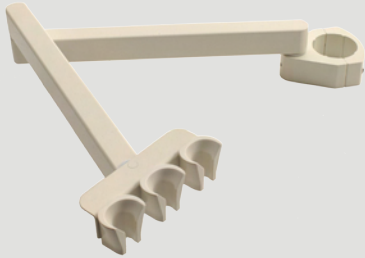
- Part No. 106-203 \$63.00
- For use with Beaverstate 106-216 manual flex arm system



ARMS AND BRACKETS

HORIZONTAL FOLDING ARM

- Part No.105-026, 24" wall mount\$187.00
- Part No.105-027, 24" post mount\$187.00
- Part No.105-028, 32" wall mount\$196.00
- Part No.105-029, 32" post mount\$196.00
- 3 position holder bar with 3 handpiece holders
- 2" dia. post mount or wall mount
- 24" or 32" horizontal reach



FOLDING ARM SECTION ONLY

- Part No.105-040, 6" section.....\$42.00
- Part No. 105-039, 8" section.....\$45.00
- Part No.105-042, 12" section.....\$46.00
- Part No.105-043, 16" section.....\$49.00
- 1/2" dia. pin mounts to a 2" dia. post mount clamp or wall mount
- 1/2" I.D. female end with bronze bushing



HOLDER BAR WITH HOLDERS

- Part No.105-017, 3 position.....\$43.00
- 1 HVE holder
- 1 saliva ejector holder
- 1 syringe holder
- 1/2" dia. pin mounts to horizontal folding arm

- Part No.105-034, 4 position.....\$56.00
- 2 HVE holders
- 1 saliva ejector holder
- 1 syringe holder
- 1/2" dia. pin mounts to horizontal folding arm



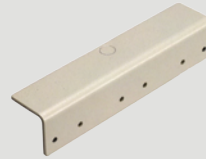
105-017



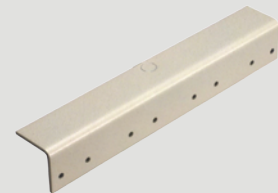
105-034

HOLDER BAR WITH 1/2" DIA. PIN

- Part No.105-008, 3 position\$19.00
- Part No.105-009, 4 position\$21.00
- Mounting holes for holders 141-006 and 141-038
- 1/2" dia. pin mounts to horizontal folding arm



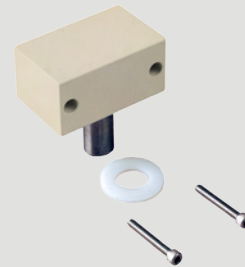
3 Position



4 Position

1/2" DIA. PIVOT MOUNT

- Part No.103-065\$27.30
- Used to mount A-200 and A-400 series units to horizontal folding arms
- 2" aluminum mount with 1/2" dia. pin
- Includes mounting screws



WASHER FOR PIN WITH 1/2" DIA.

- Part No. 003-006\$.60
- Used with horizontal folding arms



BRACKET FOR 1/2" DIA. PIN MOUNT

- Part No.105-060\$27.50
- Used with horizontal folding arms
- Includes mounting screws



MOUNTS AND BUSHINGS

WALL MOUNT FOR 1/2" DIA. PIN

Part No.105-018\$52.00

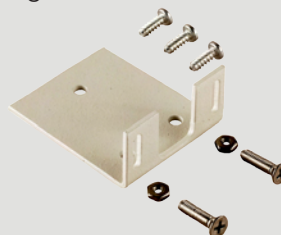
- Used to mount horizontal folding arms to vertical surfaces
- Includes mounting screws



HORIZONTAL SURFACE MOUNT BRACKET

Part No.105-063\$16.00

- Used to mount A-200 and A-400 series handpiece controls and other horizontal surfaces
- Includes mounting screws



COUNTERTOP MOUNT FOR 1/2" DIA. PIN

Part No.105-016\$42.00

- Used to mount horizontal folding arms to horizontal surfaces
- Includes mounting screws



2" DIA. POST MOUNT CLAMP

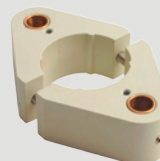
Part No.105-051, single.....\$52.00

Part No.105-092, dual\$63.00

- Mounts horizontal folding arms with 1/2" dia. pin to 2" dia. post



105-051



105-092

WALL MOUNT FOR 2" DIA. POST MOUNTED ARMS

Part No.106-205\$104.00

- Includes mounting screws

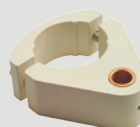


1-3/4" DIA. POST CLAMP FOR 1/2" PIN

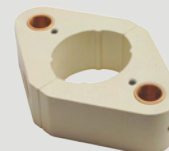
Part No.105-126, single.....\$57.00

Part No.105-127, dual\$63.00

- Mounts to 1-3/4" dia. upright on H-type frame



105-126



105-127

REAR DELIVERY MOUNTS

Part No.105-130, single.....\$118.00

Part No.105-120, dual\$140.00

- Used with rear delivery units
- Mounts to existing cabinetry
- Includes mounting screws



105-130



105-120

TOP POST MONITOR MOUNT

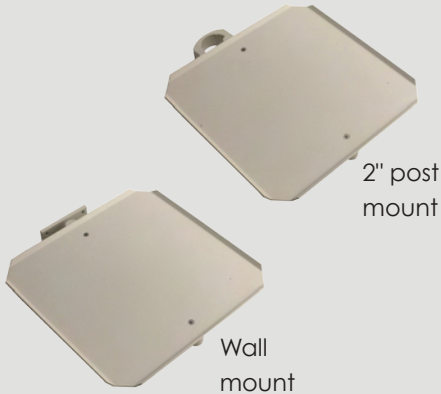
Part No.105-250\$250.00



SHELVES AND TRAYS

UTILITY SHELF ASSEMBLY

- Part No. 105-078, 2" dia. mount \$136.50
 Part No. 105-068, wall mount \$141.75
- 12" x 12" shelf
 - Pivoting arm



CABINET/CART TRAY HOLDER ASSEMBLY

- Part No. 105-053 \$250.00
- Mounts above or below cabinet or cart surface
 - Stainless steel tray, 9-3/4" x 13-1/2"
 - 12" pivoting arm
 - Mounting arm with screws
 - 9-3/4" x 13-1/2" tray



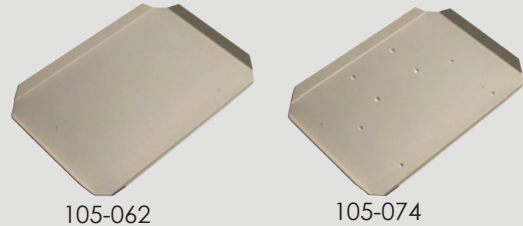
TRAY MOUNT W/HOLDER BAR

- Part No. 105-065 \$125.00
- For use with horizontal arm with 1/2" dia. pin mount
 - Holds 9-3/4" x 13-1/2" tray



TRAY ASSEMBLY

- Part No. 105-062 \$55.00
 Part No. 105-074 \$36.00
- For use with horizontal arm with 1/2" dia. pin mount
 - For mounting A-250 to horizontal arm using 105-060 1/2" pin mount plate (105-074)
 - Holds 9-3/4" x 13-1/2" tray



INSTRUMENT TRAY

- Part No. 010-001, stainless steel \$55.00
 Part No. 010-051, plastic \$15.00
- 9-3/4" x 13-1/2"
- Part No. 010-002, stainless steel \$47.25
- 10" x 6-1/2"



NON-SLIP PAD

- Part No. 010-060 \$3.50
- Use on top of unit control head or work surface to prevent tray from sliding
 - Rubber non-skid material
 - 11-3/4" x 6-1/4"

- Part No. 010-061 \$3.15
- 9" x 5-1/2"



VACUUM KITS

AUTOCLAVABLE VACUUM ACCESSORY KIT

Part No.131-027\$250.00

- Vacuum canister with removable screen
(uses 131-052 screen)
- 3 position vertical surface mount 6" holder bar and universal holders
- Mounting hardware
- 2 autoclavable universal HVE lever valves
- 1 autoclavable saliva ejector lever valve
- 6' asepsis tubing
- 7' drain tubing



DELUXE VACUUM ACCESSORY KIT

Part No. 131-026 \$220.00

- Vacuum canister with removable screen
(uses 131-052 screen)
- 3 position vertical surface mount 6" holder bar and universal holders
- Mounting hardware
- 2 universal HVE lever valves
- 1 saliva ejector lever valve
- 6' asepsis tubing
- 7' drain tubing



VACUUM ACCESSORY KIT

Part No.131-025 \$198.00

- Vacuum canister with removable screen
(uses 131-052 screen)
- 3 position vertical surface mount 4-1/4" holder bar and holders
- Mounting hardware
- 2 standard HVE lever valves
- 1 saliva ejector lever valve
- 6' asepsis tubing
- 7' drain tubing



VACUUM KITS

CABINET MOUNT VACUUM ACCESSORY KIT

Part No. 105-175.....\$420.00

- Vacuum canister with removable screen
(uses 131-052 screen)
- 3 position cabinet mount holder bar and universal holders
- Mounting hardware
- Bar can mount to a vertical or horizontal surface
- 1 autoclavable universal HVE lever valve
- 1 autoclavable saliva ejector lever valve
- 3-way syringe with quick change autoclavable tip
- 6' asepsis tubing
- 7' drain tubing

OPTIONS

- 030-014 Additional HVE valve with holder.....\$73.00
- Includes tubing



VACUUM ACCESSORY KIT

Part No. 131-045..... \$440.00

- Vacuum canister enclosure with removable screen
(uses 131-052 screen)
- Mounting hardware
- 3 position vertical surface mount 6" holder bar and universal holders
- 1 autoclavable universal HVE lever valve
- 1 autoclavable saliva ejector lever valve
- 3-way syringe with quick change autoclavable tip
- Flow adjustment for syringe
- 6' asepsis tubing
- 5' umbilical tubing

OPTIONS

- Additional HVE valve with tubing..... \$77.50
- 030-012 Water QD with flow control..... \$37.00
- Additional umbilical tubing (per foot) \$8.00



2" DIA. TELESCOPING POST MOUNT ACCESSORY ARM

Part No. 105-186, 2" dia. post mount\$420.00

- Breakaway feature
- 31" to 42" horizontal reach
- Post not included



VACUUM ACCESSORIES

AUTOCLAVABLE HVE LEVER VALVE

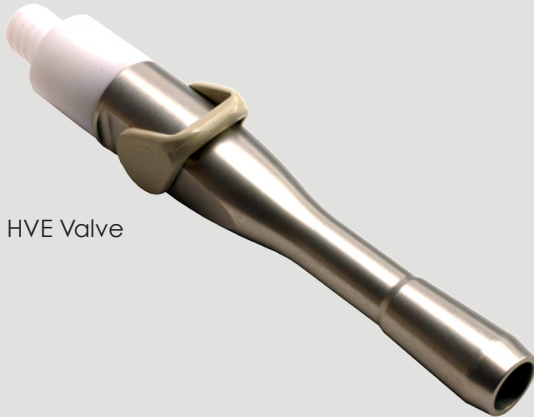
Part No. 112-262, standard..... \$36.00

Part No. 112-263, universal \$41.00

- Autoclavable (325°F)
- Anodized aluminum body
- Lever ON/OFF flow control
- Accepts standard 1/2" vacuum tubing
- Easily disassembled for thorough cleaning
- 360° swivel



112-262
Standard HVE Valve



112-263
Universal HVE Valve

STANDARD HVE LEVER VALVE

Part No. 112-192, white \$26.00

- Lever ON/OFF flow control
- Accepts standard 1/2" vacuum tubing
- Easily disassembled for thorough cleaning
- 360° swivel



UNIVERSAL HVE LEVER VALVE

Part No. 112-193, white \$35.00

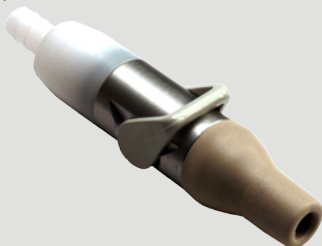
- Lever ON/OFF flow control
- Accepts standard 1/2" vacuum tubing
- Easily disassembled for thorough cleaning
- 360° swivel



AUTOCLAVABLE SALIVA EJECTOR LEVER VALVE

Part No. 112-280 \$28.00

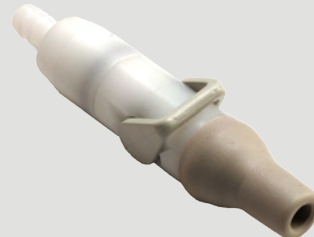
- Body and lever are autoclavable (325°F)
- Anodized aluminum body
- Lever ON/OFF flow control
- Accepts standard 7/32" I.D. vacuum tubing
- Snap-on gray rubber tip
- 360° swivel



SALIVA EJECTOR LEVER VALVE

Part No. 112-190, white \$23.00

- Lever ON/OFF flow control
- Snap-on gray rubber tip
- 360° swivel
- Accepts standard 7/32" I.D. vacuum tubing



VACUUM ACCESSORIES

SALIVA EJECTOR ADAPTER

Part No. 112-059 \$5.25

- Adapts saliva ejector tubing to HVE valve



SALIVA EJECTOR RUBBER TIP

Part No. 112-174, gray \$2.20

Part No. 112-175, gray (autoclavable) \$4.30

- Snaps onto saliva ejector valve
- Soft and pliable



QD SWIVEL BASE

Part No. 112-170, HVE valve \$5.25

Part No. 112-177, saliva ejector valve \$4.20



HVE Valve
112-170



Saliva Ejector Valve
112-177

REPLACEMENT LEVER

Part No. 112-169, HVE valve \$3.15

Part No. 112-181, saliva ejector valve \$3.15

- Autoclavable (325°F)



112-169
HVE Valve



112-181
S/E Valve

AUTOCLAVABLE O-RINGS

Part No. 017-413, HVE valve, pkg of 10 \$5.25

Part No. 017-410, saliva ejector valve, pkg of 10 \$4.20

- Autoclavable (325°F) Viton (R) material
- Identified by brown color



For HVE Valve



For Saliva Ejector Valve

VACUUM CANISTER MOUNTING BRACKETS

Part No. 131-038, vertical \$2.65

Part No. 131-039, horizontal \$2.65



131-038
Vertical



131-039
Horizontal

VACUUM ACCESSORIES

CENTRAL VACUUM CANISTER KIT

- Part No. 131-030.....\$23.00
 2 HVE valve drain ports with 1 plug
 ■ Saliva ejector drain port with plug
 ■ Covered removable screen
 ■ Hydrocolloid drain provision
 ■ Mounting hardware
(Uses 131-052, 1-7/8" screen)



CENTRAL VACUUM CANISTER KIT WITH BAYONET LID

- Part No. 131-035.....\$25.00
 ■ Easy open bayonet type locking lid
 ■ 2 HVE valve drain ports with 1 plug
 ■ Saliva ejector drain port with plug
 ■ Covered removable screen
 ■ Hydrocolloid drain provision
 ■ Mounting hardware
(Uses 131-052, 1-7/8" screen)



CENTRAL VACUUM CANISTER KIT WITH BAYONET LID, SIDE DRAIN

- Part No. 131-036.....\$35.00
 ■ Easy open bayonet type locking lid
 ■ 2 HVE valve drain ports with 1 plug
 ■ Saliva ejector drain port with plug
 ■ Covered removable screen
 ■ 5/8" side drain port
(Uses 131-053, 2-1/8" screen)



COVERED VACUUM CANISTER SCREEN

- Part No. 131-052.....\$.75
 Part No. 131-070, pkg of 100.....\$70.00
 ■ 1-7/8" molded plastic screen with lid
 ■ Used with 131-030 and 131-035 vacuum canister kits
 ■ Fits Beaverstate, Belmont, Biotec, Chayes, Den-Tal-Ez, Dentech, Pelton and Prisma vacuum canisters



COVERED VACUUM CANISTER SCREEN

- Part No. 131-053.....\$.80
 Part No. 131-071, pkg of 100.....\$75.00
 ■ 2-1/8" molded plastic screen with lid
 ■ Used with 131-036 side drain vacuum canister kit
 ■ Fits Beaverstate, Adec, DCI and Biotec

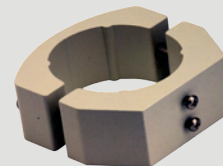


VACUUM CANISTER REPLACEMENT PARTS

- Part No. 017-030 O-ring.....\$1.00
 Part No. 131-030 LID, Standard Canister.....\$5.00
 Part No. 131-035 LID, Bayonet Canister.....\$5.00
 Part No. 131-036 LID, Bayonet Side Drain Canister ..\$6.00

VACUUM CANISTER POST MOUNT BRACKET

- Part No. 105-055.....\$53.00
 ■ Includes bracket mounting screws



VACUUM CANISTER PORT PLUG

- Part No. 010-009, HVE.....\$.30
 Part No. 010-048, saliva ejector.....\$.25



010-009



010-048

VACUUM ACCESSORIES AND SWITCHES

VACUUM CANISTER MOUNTING BRACKET

Part No. 131-034.....\$21.00

- Mounts to bottom of cart work surface or any other horizontal surface
- Used for mounting vacuum canister
- Accommodates 1-1/4" spiral umbilical tubing



ORAL DRY CUP

Part No. 117-056.....\$10.50

- Molded plastic
- Fits 7/16" HVE valves

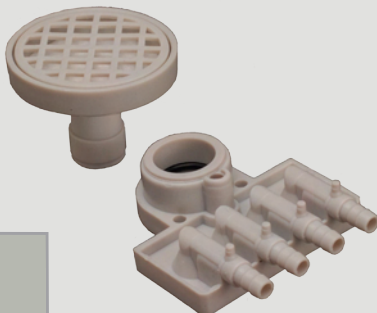


HANDPIECE EXHAUST HEPA FILTER KIT

Part No. 119-027 Complete unit install kit\$27.50

Part No. 119-028 Replacement filter only\$8.00

- Easily installed in unit head
- Prevents residual oil from coating the dental units internal components
- Filters bacteria from handpiece exhaust



ON/OFF ELECTRIC SWITCH

Part No. 016-020.....\$9.50

Part No. 016-014 Switchplate\$1.00

- May be used to activate vacuum remotely
- 15 Amp 125 VAC



AIR OPERATED ELECTRIC SWITCH

Part No. 016-031, Normally Open.....\$38.00

Part No. 016-032, Normally Closed.....\$38.00

- 15 Amp 125 VAC
- 8 psi pressure required to activate



AIR OPERATED ELECTRIC SWITCH

Part No. 016-023, Normally Open\$23.10

- 15 Amp 125 VAC
- 10 psi pressure required to activate



H ANDPIECE H OLDERS

MOLDED HOLDERS

Part No. 122-100, Automatic Handpiece\$28.00

- Fits 1/2" dia. holder bar
- Provides positive air signal to auto-block when handpiece is IN the holder

Part No. 141-100, Syringe\$14.00

- Fits 1/2" dia. holder bar
- Holds handpiece, saliva ejector valve or syringe
- Holds universal HVE valve



122-100



141-100

AUTOMATIC HANDPIECE HOLDER

Part No. 122-055, Normally Closed\$36.00

- Fits 1/2" dia. holder bar

Normally Closed = Provides positive air signal to auto-block when handpiece is IN the holder



AUTOMATIC ACCESSORY HOLDER

Part No. 122-056\$36.00

- Fits 1/2" dia. holder bar

Normally Open = Provides positive air signal when handpiece is OUT of the holder



ELECTRIC AUTOMATIC HANDPIECE HOLDER

Part No. 122-060, Normally Open\$45.00

Part No. 122-061, Normally Closed\$45.00

- Fits 1/2" dia. holder bar

Normally Open = No Current with HP out of Holder

Normally Closed = Current when HP out of Holder



H ANDPIECE H OLDERS

UNIVERSAL HANDPIECE HOLDER

Part No. 141-023 \$16.00

- Fits 1/2" dia. holder bar
- Holds handpiece, saliva ejector valve or syringe
- Holds universal HVE valve



VACUUM HANDPIECE HOLDER

Part No. 141-037 \$20.00

- Fits 1/2" dia. holder bar
- Holds HVE valve by base



AUTOMATIC HANDPIECE HOLDER

Part No. 122-049 \$26.00

- Provides positive air signal to auto-block when handpiece is IN the holder
- Replacement holder for A-2150 and A-2500
- Shipped disassembled

Rear View



Front View



PLASTIC HOLDER

Part No. 141-006, handpiece holder \$7.50

Part No. 141-038, vacuum holder \$7.50

- Fits 105-008 and 105-009 holder bars
- 141-006 holds handpiece, saliva ejector valve, syringe and HVE valve with tip extension
- 141-038 holds HVE valve by the base



141-006



141-038

STANDARD HANDPIECE HOLDER

Part No. 141-016 \$4.00

- For high speed handpiece or saliva ejector valve
- 10-32 mounting screw
- Hole accommodates 8-32 or 10-32 screw



VACUUM HANDPIECE HOLDER

Part No. 141-005 \$4.50

- For HVE valve held by the base
- 10-32 mounting screw
- Hole accommodates 8-32 or 10-32 screw



STANDARD SYRINGE HOLDER

Part No. 141-002 \$4.00

- 10-32 mounting screw
- Hole accommodates 8-32 or 10-32 screw



CURING LIGHT ADAPTER HOLDER

Part No. 141-061 \$33.00

- Fits any standard universal holder



AUTOMATIC HOLDER VALVE

Part No. 122-031, for handpiece \$9.00

- Normally closed

Part No. 122-044, for accessories \$9.00

- Normally open



HOLDER BARS AND AUTO-BLOCKS

UNIVERSAL HOLDER BAR

Part No. 141-050, 2".....	\$14.00
Part No. 141-051, 4".....	\$16.00
Part No. 141-052, 6".....	\$18.50
Part No. 141-053, 8".....	\$20.00
Part No. 141-054, 14".....	\$25.00

- For automatic, universal and vacuum holders
- 1/2" dia. mounting bar



STANDARD HOLDER BAR

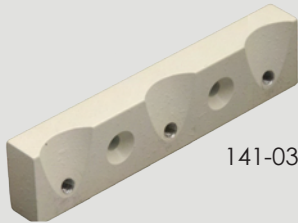
Part No. 141-017, 1 position, 1-5/8" plastic	\$3.50
Part No. 141-034, 3 position, 4-1/4" aluminum	\$21.00
Part No. 141-035, 4 position, 5-7/8" aluminum	\$23.00

- 10-32 threads

141-017



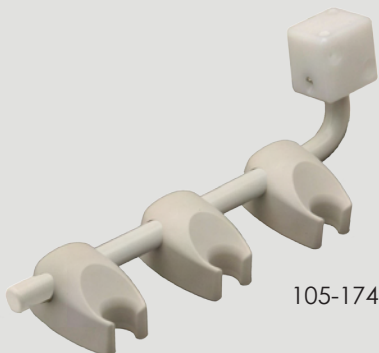
141-034



PIVOTING HOLDER BAR

Part No. 105-174, 8-1/2", with 3 141-100 holders... \$100.00	
Part No. 105-170, 8-1/2", bar and mount only	\$70.00
Part No. 105-177, 10-1/2", bar and mount only	\$80.00

- Mounts under cabinet or work surface
- 1/2" dia. mounting bar

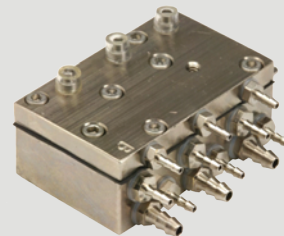


105-174

AUTOMATIC CONTROL BLOCK

Part No. 125-030, 2/3 position.....	\$110.00
Part No. 125-040, 4 position	\$145.00
Part No. 125-050, 5 position	\$170.00

- Precision milled from solid brass and electroplated to eliminate corrosion
- Individual handpiece pressure adjustments with 10-56 screws for fine adjustment
- 1" thick design for compact installation
- Use with automatic holders (see page 77)
- **LIFETIME WARRANTY, WHEN FACTORY INSTALLED**

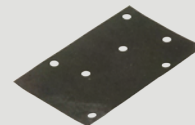


125-030

AUTOMATIC CONTROL DIAPHRAGMS

Part No. 125-016, 3 position	\$2.20
Part No. 125-044, 4 position	\$2.50

- Nylon reinforced rubber



125-016

Part No. 125-116, 3 position	\$3.50
------------------------------------	--------

- Used with euro style control block
- Nylon reinforced rubber



ON/OFF TOGGLE VALVE

Part No. 120-000, 3-way with exhaust.....\$17.50

Part No. 120-015, 2-way without exhaust.....\$17.50

- Positive ON/OFF control
- 10-32 ports
- 15/32"-32 panel mount with nuts
- Nickel plated brass

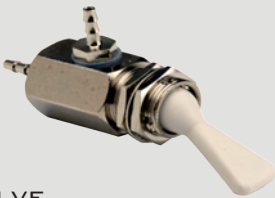


MOMENTARY TOGGLE VALVE

Part No. 120-005, 3-way with exhaust.....\$20.50

Part No. 120-018, 2-way without exhaust.....\$20.50

- Positive ON/OFF control
- 10-32 ports
- 15/32"-32 panel mount with nuts
- Nickel plated brass



ROUTING VALVE

Part No. 014-006.....\$22.00

- Routing control for air or water without exhaust
- 10-32 ports (1 input, 2 output) or (2 input, 1 output)
- 15/32"-32 panel mount with nuts
- Nickel plated brass



ROUTING VALVE

Part No. 014-007.....\$33.00

- Routing control for air or water without exhaust
- 10-32 ports (1 input, 2 output) or (2 input, 1 output)
- Activated by air signal
- Nickel plated brass



NEEDLE FLOW VALVE W/KNOB

Part No. 121-000.....\$17.50

Part No. 121-002 Knob with stem\$6.00

- Flow adjustment for air or water
- Positive ON/OFF control
- 10-32 ports
- 15/32"-32 panel mount with nuts
- Nickel plated brass
- Smooth knob



MINI REGULATOR

Part No. 128-017.....\$28.00

- 0-125 psi operating range
- Non-relieving (for air or water)
- 10-32 ports
- 15/32"-32 panel mount with nuts



40 PSI NON-ADJUSTABLE REGULATOR

Part No. 128-018.....\$23.00

- Supplies a maximum of 36 to 42 psi
- 15/32"-32 panel mount with nut
- Limits air pressure in water bottle systems
- Tamper proof



AIR PILOT VALVE

Part No. 123-003, 3-way with exhaust, N/C\$21.00

Part No. 123-002, 2-way without exhaust, N/C.....\$21.00

- Air-actuated ON/OFF control
- 10-32 ports
- 1/16" barb at signal inlet
- Nickel plated brass



MOUNTING BRACKETS

- Part No. 024-015.....\$2.00
- Used to mount a 15/32" O.D. valve or switch
- Part No. 024-018.....\$4.50
- Used to mount a 1/2" O.D. quick disconnect
- Part No. 024-019.....\$7.50
- Used to mount a 1/4" and 3/8" O.D. quick disconnect



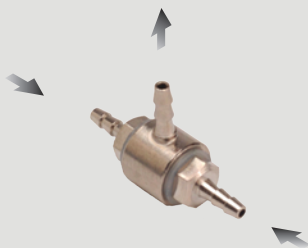
WATER RELAY VALVE - NON RETRACTING

- Part No. 123-000.....\$28.00
- Air-activated ON/OFF for handpiece water coolant
 - Does not retract water
 - 1/16" barb fittings
 - The most reliable water relay valve made
 - **TESTED OVER 10 MILLION CYCLES**



SHUTTLE VALVE

- Part No. 014-012.....\$9.00
- For mounting two input flows to one output
 - 1/16" barb fittings
 - Nickel plated brass



IN-LINE CHECK VALVE

- Part No. 119-015.....\$9.00
- Eliminates water retraction at the handpiece
 - 1/16" barb fittings
 - Nickel plated brass



MANUAL SHUT-OFF VALVE

- Part No. 020-022.....\$8.50
- For manual ON/OFF control of air or water at inlet source
 - 1/2" MPT inlet
 - 3/8" copper compression outlet
 - Chrome finish



PNEUMATIC INDICATOR

- Part No. 026-020.....\$16.00
- Green indicator
 - Accommodates 15/32"-32 panel mount
 - 10-32 port



MINI FLOW RESTRICTOR

- Part No. 113-242.....\$7.50
- Use with 1/8" or 1/4" O.D. tubing



S YRINGES

3-WAY SYRINGE

Part No. 113-400 \$72.00

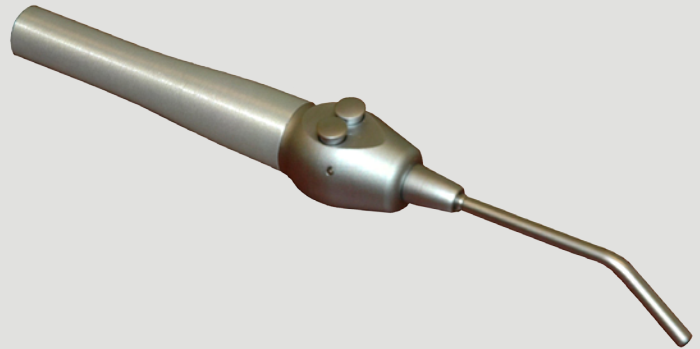
- Smooth surfaces for easy cleaning
- Soft touch O-ring cartridges
- Quick change autoclavable tip
- Variable air, water and spray control
- Lightweight
- Handle designed for smaller hands



3-WAY EURO SYRINGE

Part No. 113-202 \$88.00

- Smooth surfaces for easy cleaning
- Soft touch O-ring cartridges
- Quick change autoclavable tip
- Variable air, water and spray control
- Lightweight
- Handle designed for smaller hands



3-WAY SYRINGE WITH ASEPSIS TUBING

Part No. 113-513, straight sterling \$82.00

Part No. 113-510, coiled sterling \$84.00

Part No. 113-508, straight gray \$82.00

Part No. 113-505, coiled gray \$84.00

GENERA SYRINGE BUTTON

Part No. 113-234.....\$4.40
 Part No. 113-401, for pinned syringe head.....\$4.40



SYRINGE REPAIR KIT

Part No. 113-403.....\$22.00

- Improved for softer touch
- Includes 2 cartridge buttons, 2 springs
- Improved for softer touch



GENERA SYRINGE REPAIR KIT

Part No. 113-020.....\$12.50
 Part No. 113-019, for pinned syringe head.....\$12.50
 ■ Includes 2 cartridge buttons, 2 valve stems and valve tool



GENERA VALVE STEM

Part No. 113-228.....\$.50
 Part No. 113-328, pkg of 10.....\$4.80



SYRINGE VALVE STEM TOOL

Part No. 113-231.....\$4.00
 ■ Used to remove and install valve stems in Genera syringe head



AUTOCLAVABLE SYRINGE TIP

Part No. 113-030.....\$4.90
 Part No. 113-237, pkg of 10.....\$45.00
 Part No. 113-247, pkg of 100.....\$400.00
 ■ 6-port syringe tip (improved spray pattern)
 ■ Chrome plated brass
 ■ Fits Beaverstate Genera, Adec, DCI, Marus and other autoclavable tip applications



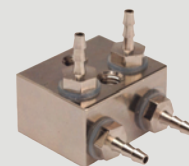
AUTOCLAVABLE QUICK-DISCONNECT TIP KIT

Part No. 113-230.....\$14.25
 ■ Retrofits to Genera, Adec, Marus and others
 ■ 1 tip cone provided
 ■ Includes autoclavable tip, adapter with O-rings, wrench and instructions



SYRINGE FLOW ADJUSTMENT BLOCK

Part No. 113-026.....\$22.00
 ■ 1/16" barbs



UTILITY CENTER AND MASTER VALVES

STANDARD UTILITY CENTER - 14" x 9" x 5-1/8"

Part No. 144-018 Complete Utility Center\$350.00

Part No. 144-015 Utility Center Housing Only\$90.00

- 2-127-010 Master valve assembly with filter and regulator
- Fitting and hole plug kit
- Installation template
- Enameled metal housing
- One 1-3/4", two 3/4" and 2-1/2" holes



Part No. 144-020 \$230.00

- 1-127-010-Air ONLY Master valve assembly with filter and regulator
- Fitting and hole plug kit
- Installation template
- Enameled metal housing
- One 1-3/4", two 3/4" and 2-1/2" holes

STANDARD UTILITY CENTER WITHOUT HOUSING & COVER

Part No. 144-027\$260.00



LARGE UTILITY CENTER - 14" x 17" x 5-1/8"

Part No. 144-046\$420.00

Part No. 144-047 Utility Center Housing Only\$180.00



MASTER VALVE ASSEMBLY W/FILTER & REGULATOR

Part No. 127-010-A (Air)\$120.00

Part No. 127-010-W (Water)\$120.00

- Air operated master ON/OFF valve
- Compact, integrated assembly for air and water
- Non-relieving, piston type regulator
- 35 and 100 micron filtration
- 3/8" compression inlet (for use with 020-022 valve)



REGULATOR KIT

Part No. 127-011 \$255.00

- Master air and water valves
- Includes toggle valve 120-000, tubing and plastic tee



PRESSURE REGULATOR ASSEMBLY KIT

Part No. 025-001 \$72.00

- Non-relieving, piston type regulator
- 0-150 psi
- Three 1/8" outlets and one 1/8" inlet port
- Pressure gauge
- Mounting bracket



REGULATOR MOUNTING BRACKET KIT

Part No. 128-010 \$16.50



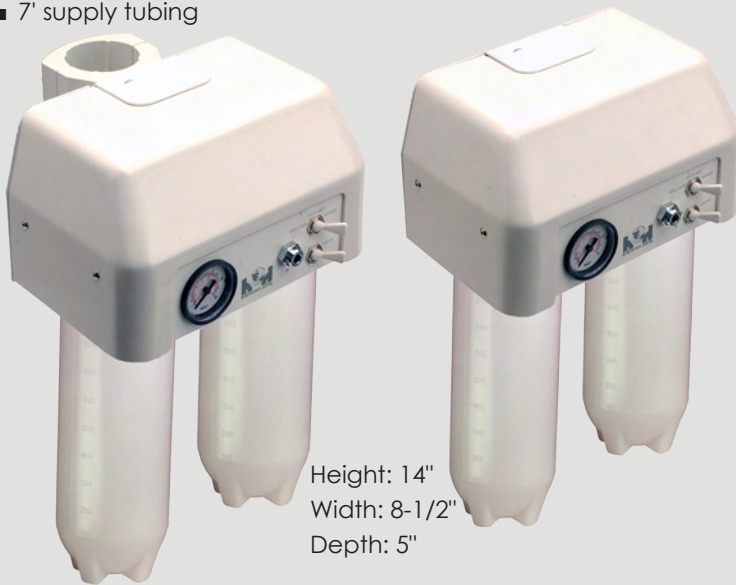
WATER BOTTLE SYSTEMS

DUAL WATER BOTTLE SYSTEM

Part No. 110-051, Post Mount \$450.00

Part No. 110-052, Wall Mount \$410.00

- 2" dia. post mount with aluminum bracket
- Pressure heads with standard 28mm thread
- 40 psi tamper proof regulator
- Clean water toggle
- Air purge toggle
- 2 pressure exhaust ports (each head)
- Quick disconnect water outlet
- Dual 1 liter heavy wall bottles
- 7' supply tubing



Height: 14"
Width: 8-1/2"
Depth: 5"

POST MOUNT WATER BOTTLE KIT

Part No. 110-062 \$280.00

Part No. 110-066 with 1/4" female QD \$305.00

Part No. 110-067 with 3/8" female QD \$310.00

Part No. 110-068 with 1/4" & 3/8" QD's \$325.00

- Accommodates 1/2" Pin mount vacuum arm
- 2" dia. post mount with aluminum bracket
- Pressure head with standard 28mm thread
- 40 psi tamper proof regulator
- 2 pressure exhaust ports
- 1-1/2 liter heavy wall bottle
- 7' supply tubing

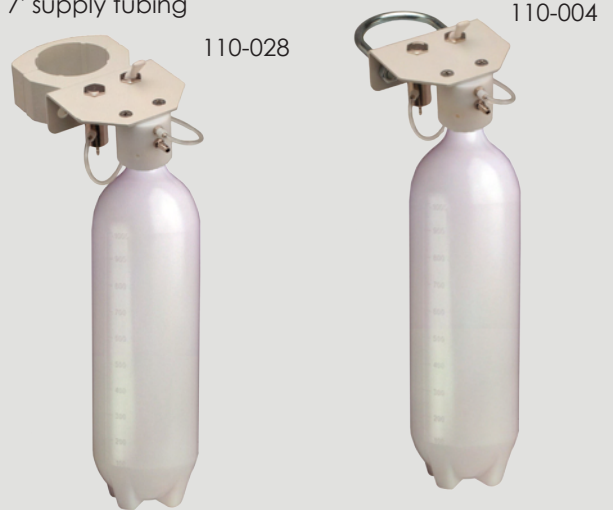


POST MOUNT WATER BOTTLE KIT

Part No. 110-028, 2 Piece post clamp \$180.00

Part No. 110-004, 1 Piece U-Clamp \$144.00

- 2" dia. post mount with aluminum bracket
- Pressure head with standard 28mm thread
- 40 psi tamper proof regulator
- Routing toggle
- 2 pressure exhaust ports
- 1 liter heavy wall bottle
- 7' supply tubing



POST MOUNT WATER BOTTLE KIT

Part No. 110-029 \$215.00

- 2" dia. post mount with aluminum bracket
- Pressure head with standard 28mm thread
- 40 psi tamper proof regulator
- 2 pressure exhaust ports
- 1-1/2 liter heavy wall bottle
- 7' supply tubing



WATER BOTTLE ACCESSORIES

REPLACEMENT WATER BOTTLE

Part No. 110-041, 1 Liter \$12.00
 Part No. 110-042, 1-1/2 Liter \$16.00

- Heavy wall construction for safe operating at 40 psi
- High density polyethylene (HDPE) is compatible with coolant liquids used in dentistry
- Can be used with most dental systems



PRESSURE HEAD

Part No. 110-046, with 1/8" NPT tapped hole \$26.00
 Part No. 110-007, with 10-32 tapped hole \$25.00

- 2 pressure exhaust ports
- Standard 28mm thread
- Includes gasket
- Includes 1/8" NPT tapped hole for pressure gauge (110-046)



PRESSURE HEAD GASKET

Part No. 003-020 \$2.50

- Polyurethane Material



WATER BOTTLE CAP

Part No. 110-030 \$25



PRESSURE HEAD MOUNTING KIT

Part No. 110-009 \$11.00

- Vertical surface mount

Part No. 110-012 \$12.00

- Horizontal surface mount



FOOT CONTROLS

STANDARD DISC TYPE

Part No. 126-000..... \$72.00

- Variable speed with light touch
- 7' tubing
- **Lifetime Warranty when factory installed**



WET/DRY TYPE

Part No. 126-160..... \$152.00

Part No. 126-153 with chrome lid \$166.00

- Variable speed with light touch
- Toggle valve for ON/OFF control of water coolant



FOOT CONTROL REPLACEMENT TOGGLE

Part No. 126-164..... \$4.00

FOOT CONTROL REPAIR KIT

Part No. 126-025..... \$15.00

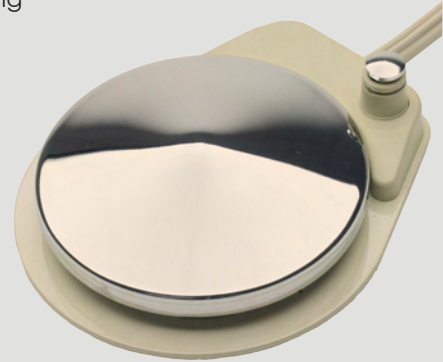
- For 126-000 standard foot control
- Includes ABS cover, stem, screws, poppet and springs



CHIP BLOWER/SCALER TYPE

Part No. 126-133.....\$153.00

- Variable speed with light touch
- Toe touch chip blower valve
- 7' tubing



WET/DRY CHIP BLOWER TYPE

Part No. 126-203.....\$200.00

- Variable speed with light touch
- Toggle valve for ON/OFF control of water coolant
- Toe touch chip blower valve
- 7' tubing



FOOT CONTROL CARRIER

Part No. 126-008.....\$70.00

- Mounts to cart base frame



HANDPIECE TUBING AND CONNECTORS

4-HOLE ASEPSIS HANDPIECE TUBING WITH MIDWEST METAL CONNECTOR

- Part No. 114-729, straight sterling, 7' \$22.00
- Part No. 114-725, coiled sterling, 7' \$25.00
- Part No. 114-129, straight gray, 7' \$22.00
- Part No. 114-125, coiled gray, 7' \$25.00

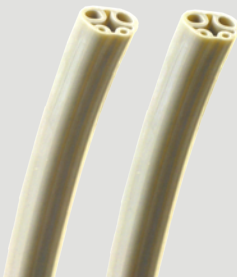
- Polyurethane material
- Extruded with smooth outer wall
- Easy to clean



4-HOLE ASEPSIS HANDPIECE TUBING ONLY

- Part No. 115-709, straight sterling \$1.20/ft
- Part No. 115-758, coiled sterling, 7' \$12.90
- Part No. 115-109, straight gray \$1.20/ft
- Part No. 115-158, coiled gray, 7' \$12.90

- Polyurethane material
- Extruded with smooth outer wall
- Easy to clean



3-HOLE ASEPSIS HANDPIECE TUBING WITH BORDEN METAL CONNECTOR

- Part No. 114-739, straight sterling, 7' \$21.00
- Part No. 114-735, coiled sterling, 7' \$24.00
- Part No. 114-139, straight gray, 7' \$21.00
- Part No. 114-135, coiled gray, 7' \$24.00

- Polyurethane material
- Extruded with smooth outer wall
- Easy to clean



MIDWEST CONNECTOR AND NUT

- Part No. 114-025, with plastic adapter \$12.50
- Part No. 114-026, with metal adapter \$14.50



BORDEN CONNECTOR AND NUT

- Part No. 114-035, with plastic adapter \$13.50
- Part No. 114-036, with metal adapter \$16.50



5-HOLE MIDWEST HANDPIECE GASKET

- Part No. 114-015 \$2.30
- Autoclavable
- Silicone material



SYRINGE AND FOOT CONTROL TUBING

3-HOLE ASEPSIS HANDPIECE TUBING

Part No. 115-708, straight sterling\$1.00/ft
 Part No. 115-719, coiled sterling, 7'\$11.00
 Part No. 115-108, straight gray\$1.00/ft
 Part No. 115-119, coiled gray, 7'\$11.00

- Polyurethane material
- Extruded with smooth outer wall
- Easy to clean



2-HOLE ASEPSIS SYRINGE TUBING

Part No. 115-764, straight sterling\$.70/ft
 Part No. 115-753, coiled sterling, 7'\$8.00
 Part No. 115-064, straight gray\$.70/ft
 Part No. 115-053, coiled gray, 7'\$8.00

- Polyurethane material
- Extruded with smooth outer wall
- Easy to clean



2-HOLE STANDARD SYRINGE TUBING (ALSO USED AS PILOT AIR TUBING)

Part No. 115-755, straight sterling\$.70/ft
 Part No. 115-055, straight gray\$.70/ft

- Polyurethane material
- Easy to clean



4-HOLE ASEPSIS FOOT CONTROL TUBING

Part No. 115-726, sterling\$2.40/ft
 Part No. 115-022, gray\$2.40/ft

- Polyurethane material
- Extruded with smooth outer wall
- Easy to clean



3-HOLE STANDARD FOOT CONTROL TUBING

Part No. 115-732, sterling\$1.80/ft
 Part No. 115-021, gray\$1.80/ft

- Polyurethane material



2-HOLE STANDARD FOOT CONTROL TUBING

Part No. 115-720, sterling\$.70/ft

- PVC material

Part No. 115-016, gray\$1.30/ft

- Polyurethane material

Part No. 115-020, gray\$.70/ft

- PVC material



SUPPLY AND VACUUM TUBING

1/8" SUPPLY TUBING

Part No. 115-023, brown.....	\$.25/ft
Part No. 115-024, yellow.....	\$.25/ft
Part No. 115-025, clear.....	\$.25/ft
Part No. 115-027, red.....	\$.25/ft
Part No. 115-028, black.....	\$.25/ft
Part No. 115-030, blue.....	\$.25/ft
Part No. 115-057, light gray.....	\$.25/ft

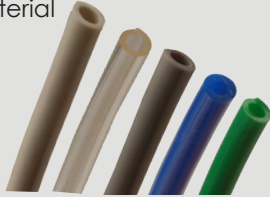
- Polyurethane material



1/4" SUPPLY TUBING

Part No. 115-759, sterling.....	\$.55/ft
Part No. 115-050, clear.....	\$.55/ft
Part No. 115-059, gray.....	\$.55/ft
Part No. 115-065, blue.....	\$.55/ft
Part No. 115-067, green.....	\$.55/ft

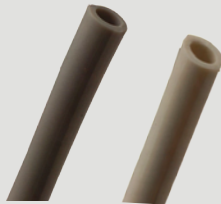
- Polyurethane material



SALIVA EJECTOR TUBING, 7/32" I.D.

Part No. 115-734, sterling.....	\$.60/ft
Part No. 115-034, gray.....	\$.60/ft

- Polyvinyl material



CUSTOM UMBILICAL TUBING

Umbilical tubings to fit most custom installations may be ordered. The price is calculated by the cost per foot of tubing used and a nominal assembly charge. For price quote, call customer service with your specifications.

ASEPSIS FLEX TUBING

Part No. 115-739, 1/2" I.D., sterling.....	\$2.60/ft
Part No. 115-039, 1/2" I.D., gray.....	\$2.60/ft

- Polyurethane material
- Extruded with smooth outer wall
- Easy to clean



ASEPSIS FLEX TUBING

Part No. 115-717, 1/2" I.D., sterling.....	\$2.00/ft
Part No. 115-017, 1/2" I.D., gray.....	\$2.00/ft

- PVC material
- Extruded with smooth outer wall
- Easy to clean



SPIRAL FLEX TUBING

Part No. 115-740, 1/2" I.D., sterling.....	\$2.10/ft
Part No. 115-040, 1/2" I.D., gray.....	\$2.10/ft
Part No. 115-741, 5/8" I.D., sterling.....	\$2.40/ft
Part No. 115-041, 5/8" I.D., gray.....	\$2.40/ft
Part No. 115-742, 3/4" I.D., sterling.....	\$2.50/ft
Part No. 115-042, 3/4" I.D., gray.....	\$2.50/ft
Part No. 115-744, 1" I.D., sterling.....	\$2.70/ft
Part No. 115-745, 1-1/4" I.D., sterling.....	\$3.00/ft
Part No. 115-045, 1-1/4" I.D., gray.....	\$3.00/ft
Part No. 115-746, 1-1/2" I.D., sterling.....	\$3.70/ft
Part No. 115-046, 1-1/2" I.D., gray.....	\$3.70/ft
Part No. 115-748, 2" I.D., sterling.....	\$6.00/ft
Part No. 115-048, 2" I.D., gray.....	\$6.00/ft

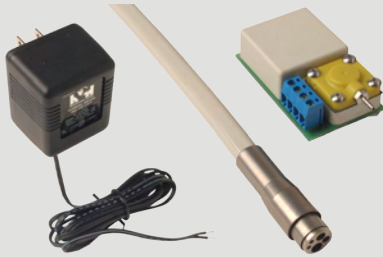


H ANDPIECE I LLUMINATION

HANDPIECE ILLUMINATION SYSTEM WITH DELAY

Part No. 115-713, straight sterling	\$266.00
Part No. 115-711, coiled sterling	\$266.00
Part No. 115-113, straight gray	\$266.00
Part No. 115-111, coiled gray	\$266.00

- Compact handpiece illumination system with delay
- Light source located in handpiece connector
- 13 Second time delay
- Bulb and connections protected by stainless steel sleeve
- Krypton bulb
- Asepsis tubing
- Air-electric switch and fittings
- 120 VAC to 3.5 VAC transformer



TIME CONTROL/DELAY MODULE

Part No. 115-080	\$86.00
------------------------	---------

- 13 second time delay
- Adhesive base for easy mounting



REPLACEMENT BULB (KRYPTON)

Part No. 016-010	\$36.00
Part No. 016-010-5, pkg of 5	\$164.00

- 3.5 V

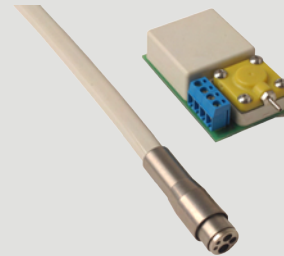


Note: Time control/delay module (115-080) is required for each handpiece.

HANDPIECE ILLUMINATION KIT WITH DELAY

Part No. 115-773, straight sterling	\$225.00
Part No. 115-771, coiled sterling	\$225.00
Part No. 115-173, straight gray	\$225.00
Part No. 115-171, coiled gray	\$225.00

- Light source located in handpiece connector
- 13 Second time delay
- Bulb and connections protected by stainless steel sleeve
- Krypton bulb
- Asepsis tubing
- Air-electric switch and replacement tubing



HANDPIECE ILLUMINATION TUBING WITH CONNECTOR, NUT, SOCKET AND BULB

Part No. 115-712, straight sterling	\$150.00
Part No. 115-714, coiled sterling	\$150.00
Part No. 115-012, straight gray	\$150.00
Part No. 115-014, coiled gray	\$150.00

HANDPIECE ILLUMINATION TUBING WITH SOCKET ONLY

Part No. 115-763, straight sterling	\$48.00
Part No. 115-760, coiled sterling	\$48.00

Part No. 115-063, straight gray	\$48.00
Part No. 115-060, coiled gray	\$48.00

TRANSFORMER

Part No. 016-001, 110 VAC	\$40.00
Part No. 016-002, 220 VAC	Call for Price

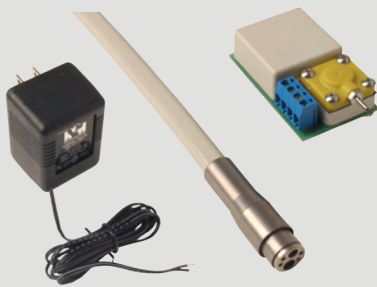
- Output 3.5VAC 750mA



H ANDPIECE I LLUMINATION

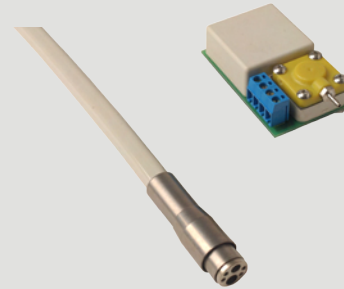
ISO-C 6 PIN HP ILLUMINATION SYSTEM WITH DELAY

- Part No. 115-703, straight sterling \$225.00
 Part No. 115-103, straight gray \$225.00
- ISO-C 6 Pin Connector
 - Compact handpiece illumination system with delay
 - 13 Second time delay
 - Asepsis tubing
 - Air-electric switch and fittings
 - 120 VAC to 3.5 VAC transformer



ISO-C 6 PIN HP ILLUMINATION KIT WITH DELAY

- Part No. 115-783, straight sterling \$185.00
 Part No. 115-183, straight gray \$185.00
- ISO-C 6 Pin Connector
 - 13 Second time delay
 - Asepsis tubing
 - Air-electric switch and handpiece tubing



TIME CONTROL/DELAY MODULE

- Part No. 115-080 \$86.00
- 13 second time delay
 - Low activation pressure
 - Adhesive base for easy mounting



ISO-C HANDPIECE ILLUMINATION TUBING WITH 6 PIN CONNECTOR AND NUT

- Part No. 115-792, straight sterling \$114.00
 Part No. 115-092, straight gray \$114.00
- ISO-C 6 Pin Connector



TRANSFORMER

- Part No. 016-001, 110 VAC \$40.00
 Part No. 016-002, 220 VAC Call for Price
- Output 3.5VAC 750mA



110 VAC



220 VAC

Note: Time control/delay module (115-080) is required for each handpiece.

FITTINGS

10-32 HEX PLUG

Part No.030-003, pkg of 10..... \$3.70



1/4" AND 8/32" PLASTIC WASHER

Part No.030-025, 1/4", pkg of 10..... \$.70

Part No.030-026, 1/4", pkg of 100..... \$6.00

■ Used with 10-32 fittings

Part No.030-036, 8/32" pkg of 10..... \$1.30

■ Used under hex barb at base of syringe head



TUBING FERRULE

Part No.117-009, 1/8", pkg of 10..... \$1.50

Part No.117-019, 1/8", pkg of 100..... \$11.50

Part No.117-010, 1/4", pkg of 10..... \$1.60

Part No.117-012, 1/4", pkg of 100..... \$12.50



1/16" PLASTIC BARB TEE

Part No.022-056, pkg of 10..... \$10.50



1/8" PLASTIC BARB TEE

Part No.022-055, pkg of 10..... \$11.00



1/8" x 1/16" x 1/8" PLASTIC BARB TEE

Part No.022-061, pkg of 10..... \$11.50



10-32 HEX BARB

Part No.030-002, 1/16" pkg of 10..... \$4.40

Part No.030-001, 1/8" pkg of 10..... \$4.40



1/16" BARB UNION

Part No.022-013, pkg of 10..... \$8.00



8-32 x 1/16" HEX BARB

Part No.030-004, pkg of 10..... \$4.75

■ Used at base of syringe head



1/8" BARB UNION

Part No.022-014, pkg of 10..... \$10.00



1/16" x 1/8" BARB UNION

Part No.022-025, pkg of 10..... \$9.00



10-32 4-WAY CROSS

Part No.023-008..... \$1.80



FITTINGS AND QUICK DISCONNECTS

1/4" POLY NUT

Part No. 021-023\$.60



1/4" POLY SLEEVE

Part No. 021-037, pkg of 10\$ 1.50



MPT BARB

Part No. 022-006, 1/16" Barb x 1/8" MPT\$ 3.00
 Part No. 022-016, 1/8" Barb x 1/8" MPT\$ 4.00



1/4" POLY x 1/8" MPT

Part No. 021-027\$ 1.20



1/4" POLY TEE

Part No. 021-035\$ 3.90



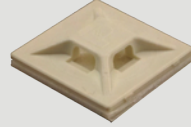
1/4" POLY x 1/8" MPT ELBOW

Part No. 021-036\$ 2.00



TIE STRAP CLAMP WITH ADHESIVE BACK

Part No. 117-055, pkg of 5\$ 8.00



TIE STRAP

Part No. 117-033, 4", pkg of 10\$ 1.00
 Part No. 117-034, 11", pkg of 10\$ 1.60
 Part No. 117-036, 5-1/2", pkg of 10\$ 2.50



MALE POLY, WITHOUT SHUT-OFF QD

Part No. 024-002, 1/4"\$ 5.75
 Part No. 024-007, 3/8"\$ 7.50



FEMALE POLY, PANEL MOUNT QD

Part No. 024-003, 1/4"\$ 12.75
 Part No. 024-008, 3/8"\$ 15.50



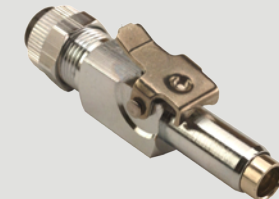
FEMALE 1/8" MPT QD

Part No. 024-004, 1/8" MPT x 1/4" Female\$ 5.50



MALE POLY, WITH SHUT-OFF QD

Part No. 024-001, 1/4"\$ 10.00
 Part No. 024-006, 3/8"\$ 12.50



FILTER DRYER CARTRIDGE SYSTEM

- Part No. 119-022\$80.00
 ■ Quick-disconnect for easy cartridge replacement



FILTER DRYER CARTRIDGE ONLY

- Part No. 119-021\$29.00



FILTER DRYER QD FITTING KIT

- Part No. 024-020\$45.00



AIR AND WATER FILTER

- Part No. 119-000, filter only \$20.50
 Part No. 119-008, with 10-32 barbs..... \$22.50
 Part No. 119-020, with 1/4" poly x 1/8" MPT \$24.00
 ■ Solid brass body
 ■ 35 micron filtration
 ■ 1/8" FPT ports
 ■ Easily disassembled for cleaning



119-008

119-020

REPLACEMENT FILTER ELEMENT (USED ON ABOVE)

- Part No. 119-003 \$2.00
 ■ Used with older Beaverstate filter/regulators
 ■ Sintered bronze
 ■ 35 micron filtration
 ■ 7/8" dia.



REPLACEMENT FILTER ELEMENT

- Part No. 119-004 \$2.40
 ■ Used on newer Beaverstate filter/regulators
 ■ Sintered bronze
 ■ 35 micron filtration
 ■ 1-1/8" dia.



REPLACEMENT FILTER ELEMENT

- Part No. 119-005 \$2.40
 ■ Used on newer Beaverstate filter/regulators
 ■ Sintered bronze
 ■ 100 micron filtration
 ■ 1-1/8" dia.

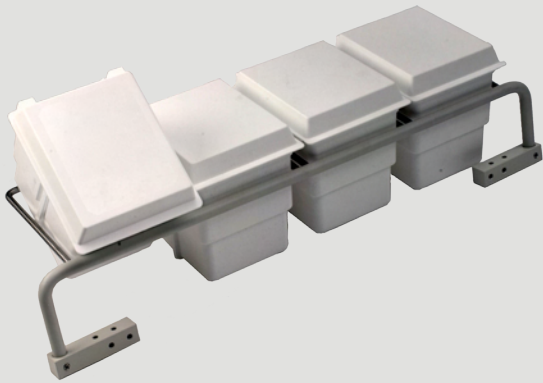


CART ACCESSORIES

STORAGE BIN ASSEMBLY

Part No. 110-016, 23" wide, 4 bin.....\$250.00

- For custom mounting to carts
- 2 position: horizontal and 30° tilt



STORAGE BIN ONLY

Part No. 110-015.....\$24.00



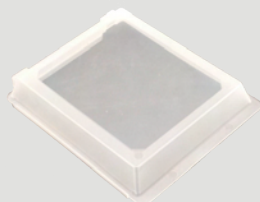
REPLACEMENT LID FOR STORAGE BIN

Part No. 110-025, white.....\$10.00

Part No. 110-027, clear.....\$12.00



110-025



110-027

REPLACEMENT HINGES FOR STORAGE BIN

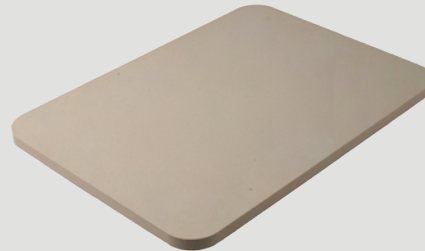
Part No. 110-014, set of 2.....\$4.00



WORK SURFACE (CART TOP)

Part No. 101-013.....\$165.00

- Large work surface, 16" x 22"
- Laminated surface
- Color, Nevamar Dove Gray S-6-3T



H-TYPE MOBILE FRAME

Part No. 108-016, 27" to 35", 18" wide.....\$415.00

Part No. 108-017, 21" to 29", 24" wide.....\$415.00

- 2" dia. vertical upright
- Mounting plate, 4-7/8" x 6"
- Twin wheel casters
- Sterling color



POST CAP/CART FRAME END CAP

Part No. 010-059.....\$3.00

- Fits 28", 40" and 54" posts
- Fits 2" dia. posts



CASTER

Part No. 108-007.....\$6.50

- Twin wheel
- For cart frame and stools



CELUX LIGHT REPLACEMENT PARTS

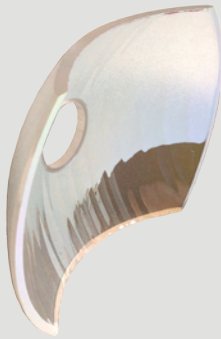
Part No. CLX-011, bulb\$22.00



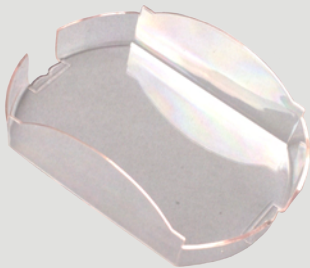
Part No. CLX-012, bulb protector.....\$32.00



Part No. CLX-013, plastic lens reflector\$180.00



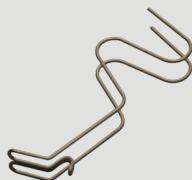
Part No. CLX-010, Safety shield\$60.00



Part No. CLX-017, On-Off switch\$48.00



Part No. CLX-014 'S' Spring for bulb..... \$20.00

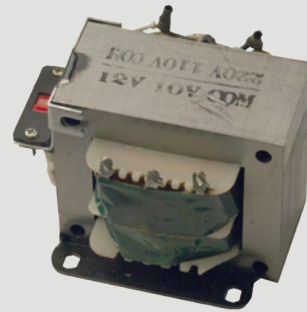


CELUX LIGHT REPLACEMENT PARTS

Part No. CLX-015, handle assembly\$200.00



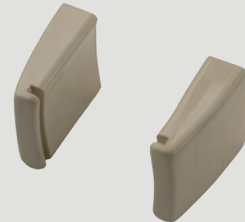
Part No. CLX-018, transformer\$160.00



Part No. CLX-020, end caps\$20.00



Part No. CLX-016, plastic shield side clip.....\$20.00



Part No. CLX-030, Complete wiring harness\$80.00



POSTS AND ACCESSORIES

2" DIA. POSTS WITH PELTON CRANE ADAPTER

- Part No. 146-202, 28" \$110.00
- Part No. 146-209, 28" with 1 - 1-1/4" hole \$120.00
- Part No. 146-203, 40" with 1 - 1-1/4" hole \$130.00
- Part No. 146-212, 48" with 2 - 1-1/4" holes \$140.00
- Part No. 146-206, 54" with 1 - 3/4" hole \$140.00

- .083 wall thickness
- 2" true post



LIGHT POST ADAPTERS

- Part No. 146-005 \$25.00
 - Fits Den-Tal-Ez, Faro and Ritter
- Part No. 146-208 \$21.00
 - Fits Celux, Pelton, Adec and Belmont
- Part No. 146-205 \$21.00
 - Used inside 146-208 (Ritter shim)
 - Fits Celux, Pelton, Adec, Belmont and Beaverstate 2" dia. post



POST CAP/CART FRAME END CAP

- Part No. 010-059 \$3.00
 - Fits into 2" dia. posts



POST DRESSING RING

- Part No. 146-211 \$2.00
 - Fits over 2" dia. posts
 - Slides over and down post



LIGHT POST EXTENSION

- Part No. 146-000 \$290.00
 - Includes butterfly post clamp, 2 - 28" posts, post cap, light cord and sleeve
- Part No. 146-015 \$190.00
 - Includes butterfly post clamp, 1 - 28" post, post cap, light cord and sleeve



146-000



146-015

Unit post must be drilled for power cord

BUTTERFLY POST CLAMP

- Part No. 146-001 \$68.00
 - Adapts light post to control post
 - Drilled to conceal light cord



NYLINER BUSHING

- Part No. 013-007 \$9.75
 - Adapts 1-7/8" post to 2" dia. mount



WALL MOUNT BOARD

- Part No. 016-209 \$45.00
 - Measures 12" x 12"

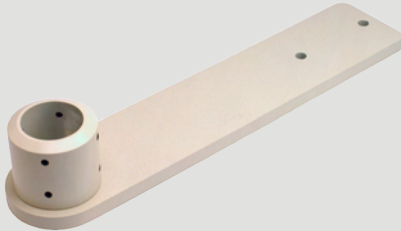


CHAIR ADAPTERS AND CUSPIDOR ACCESSORIES

BEAVERSTATE EVOLUTION

Part No. 146-116..... \$252.00

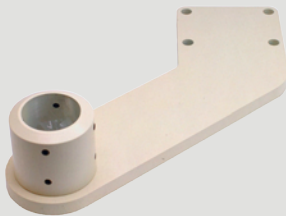
- Includes mounting hardware
- Accommodates 2" dia post



BELMONT 7 THRU 50

Part No. 146-102..... \$262.50

- Includes mounting hardware
- Accommodates 2" dia post



OTHER CHAIR ADAPTERS ARE
AVAILABLE
AS SPECIAL ORDER,
UPCHARGE MAY APPLY

CUSPIDOR BOWL

Part No. 132-110, ceramic with O-rings..... \$96.00

Part No. 132-114, polycarbonate with O-rings \$80.00

- Polycarbonate bowl is stain resistant and shatterproof
- 8" dia.
- Easy to clean



132-110 Ceramic

132-114 Polycarbonate

CUSPIDOR BOWL REPLACEMENT O-RING

Part No. 017-150 for ceramic bowl \$2.00 ea

Part No. 017-028 for polycarbonate bowl \$2.00 ea

- 2 Required per bowl

CUSPIDOR BOWL STRAINER

Part No. 132-008..... \$.50

- Disposable
- White plastic
- Fits most bowls



VACUUM CUSPIDOR DRAIN KIT

Part No. 112-072, 5/8" drain \$270.00

- Used to adapt gravity drain cuspidors to central vac
- Includes vacuum drain valve, flush nipple, filter assembly, tubing and installation hardware



G A U G E S A N D S E R V I C E I T E M S

ROUND GAUGE

Part No. 026-001\$18.00

- 0-160 psi
- 1-5/8" dia.
- 1/8" MPT
- 10-32 port



ROUND GAUGE, PANEL MOUNT

Part No. 026-002\$18.00

- 0-100 psi
- 1-5/8" dia.
- 1/8" MPT
- 10-32 port



RECTANGULAR GAUGE, PANEL MOUNT

Part No. 026-003\$29.50

- 0-60 psi
- 1/2" x 1-3/4"
- 10-32 port



TOUCH-UP PAINT

Part No. 110-101\$7.00

- Available in "Sterling" color only
- 1 oz. bottle



STAINOFF

Part No. 110-105\$7.00

Part No. 110-104, Case of 12\$72.00

- Iodophor Inactivator
- 4 oz. bottle
- Recommended for use in removing iodophor discoloration and/or spills



FERRULE TOOL

Part No. 117-031\$23.00

- Fits 1/8" & 1/4" ferrules



ALLEN WRENCH SET

Part No. 010-024\$24.00

- .050" to 5/16"
- Ball driver end



ARM ADJUSTMENT WRENCH

Part No. 010-030\$27.00

- Modified 9/16" & 5/8" combo wrench
- Used to adjust manual arm spring tension



O-RINGS, BUNA

Part No.017-301, buna-n, pkg of 10.....	\$2.00
Part No.017-302, buna-n, pkg of 10.....	\$2.00
Part No.017-303, buna-n, pkg of 10.....	\$2.00
Part No.017-304, buna-n, pkg of 10.....	\$2.00
Part No.017-306, buna-n, pkg of 10.....	\$2.00
Part No.017-321, buna-n, pkg of 10.....	\$4.00
Part No.017-323, buna-n, pkg of 10.....	\$3.60

O-RINGS, VITON^(R)

Part No.017-401, Viton ^(R) , pkg of 10.....	\$2.00
Part No.017-402, Viton ^(R) , pkg of 10.....	\$2.10
Part No.017-404, Viton ^(R) , pkg of 10.....	\$2.10
Part No.017-408, Viton ^(R) , pkg of 10.....	\$4.20
Part No.017-410, Viton ^(R) , pkg of 10.....	\$4.20
Part No.017-411, Viton ^(R) , pkg of 10.....	\$4.50
Part No.017-413, Viton ^(R) , pkg of 10.....	\$4.20

O-RINGS, ETHYLENE PROPYLENE

Part No.017-601, E P, pkg of 10.....	\$2.00
Part No.017-602, E P, pkg of 10.....	\$2.00
Part No.017-603, E P, pkg of 10.....	\$2.00
Part No.017-604, E P, pkg of 10.....	\$2.00

■ Highly recommended for use with chlorinated water

O-RING KIT, BUNA-N

Part No.017-125.....	\$24.00
----------------------	---------

- 120 O-rings
- 12 commonly used sizes
- 12 compartment plastic box

O-RING KIT, VITON^(R)

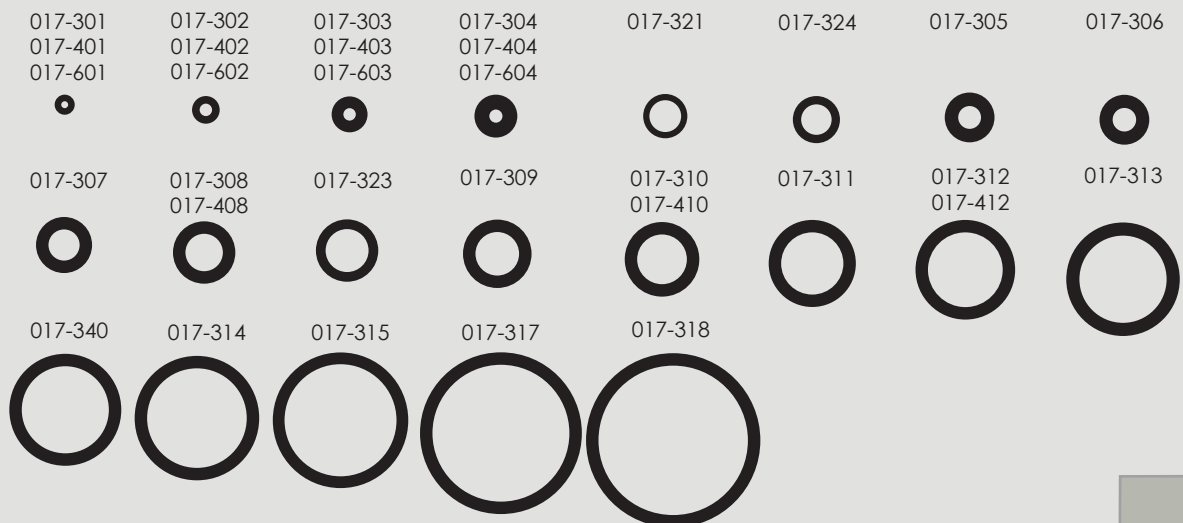
Part No.017-127.....	\$30.00
----------------------	---------

- 100 O-rings
- 10 commonly used sizes
- 12 compartment plastic box

12 COMPARTMENT PLASTIC BOX ONLY

Part No.017-126.....	\$5.00
----------------------	--------

Size chart below, applies to all O-rings above.
O-Rings are drawn actual size.



UNIT WEIGHTS AND MEASUREMENTS

Model #	Length	Width	Height	Dim. Wt.	Model #	Length	Width	Height	Dim. Wt.
A-050	13"	13"	7"	5	PM-220	13"	13"	7"	5
A-100	13"	13"	7"	6	PM-400	17"	17"	17"	7
A-101	13"	13"	7"	6	RD-3000	19"	19"	19"	9
A-200	13"	13"	7"	6	RD-3001	19"	19"	19"	9
A-202	13"	13"	7"	6	RD-4250, 4251	26"	21"	11"	50
A-220	13"	13"	7"	6		26"	21"	11"	35
A-222	13"	13"	7"	6		28"	11"	6"	50
A-230	13"	13"	7"	6	S-330	19"	19"	9"	12
A-250	13"	13"	7"	7	S-340	17"	17"	7"	10
A-300	17"	17"	7"	11	S-3300	40"	24"	14"	70
A-400	13"	13"	7"	8	S-3306	40"	24"	14"	70
A-2100	25"	22"	30"	86	S-3310	40"	24"	14"	70
A-2150	25"	22"	30"	86	S-3410	40"	24"	14"	70
A-2500	40"	25"	15"	86	S-3500	40"	24"	14"	70
A-3000	40"	24"	14"	70	S-3506	40"	24"	14"	70
A-3011	40"	24"	14"	70	S-3415	40"	24"	14"	70
A-4100	25"	22"	30"	86	S-4100	23"	21"	30"	75
A-4150	25"	22"	30"	86	S-4150	23"	21"	30"	75
A-4500	25"	22"	30"	86	S-4250	23"	29"	30"	104
A-4550	25"	22"	30"	86	S-5225	35"	12"	6"	13
A-5000	19"	19"	9"	13	S-5325	38"	16"	8"	17
A-5032	19"	19"	9"	13	S-6300	37"	27"	20"	103
A-5124	19"	19"	6"	11	S-6307	37"	27"	20"	103
A-5132	19"	19"	9"	13	SC-4200	19"	19"	14"	30
A-5150	19"	19"	6"	11	SC-4250	19"	19"	14"	30
A-5200	44"	12"	7"	12	SD-3302	40"	24"	14"	70
A-5210	25"	9"	9"	7	SO-3304	19"	19"	16"	26
A-5221	44"	12"	7"	11	SO-3354	19"	19"	16"	29
A-5222	44"	12"	7"	12					
A-5230	44"	12"	7"	12					
A-5524	19"	19"	7"	15					
AT-96	23"	23"	17"	35					
C-3200	28"	16"	20"	47					
C-3201	28"	16"	20"	47					
C-3225	28"	16"	20"	47					
C-3230	28"	16"	20"	47					
C-3250	28"	16"	20"	47					
CLX-110	28"	15"	10"	24					
CLX-220	28"	15"	10"	24					
DR-96	23"	23"	17"	29					
EVOL 3 -110	32"	42"	62"	350					
EVOL 3 -220	32"	42"	62"	350					
H-3500	40"	24"	14"	70					
H-5200	44"	12"	7"	12					
PM-200	13"	13"	7"	5					

WEIGHTS/MEASURES FOR COMPLETE PKG'S

	L	W	H	#
Helix	48" x 48"	48" x 38"		605 lbs
	32" x 47"	62"		
Northwest	48" x 48"	48" x 62"		572 lbs
	32" x 47"	38"		
Evergreen	48" x 48"	48" x 48"		590 lbs
	32" x 47"	62"		
Columbia	48" x 48"	48" x 48"		585 lbs
	32" x 47"	62"		
Sierra	48" x 48"	48" x 52"		596 lbs
	32" x 47"	62"		
Mt. Hood	48" x 47"	47" x 47"		594 lbs
	32" x 47"	62"		
McKenzie	48" x 48"	48" x 49"		608 lbs
	32" x 47"	62"		

Note: All larger shipments and complete operatory packages are shipped via Roadway Express unless otherwise specified.

MODEL	PRICE	PAGE	MODEL	PRICE	PAGE	MODEL	PRICE	PAGE
003-006	\$.60	68	021-027	\$1.20	94	105-053	\$250.00	70
003-020	\$2.50	86	021-035	\$3.90	94	105-055	\$53.00	75
010-001	\$55.00	70	021-036	\$2.00	94	105-060	\$27.50	68
010-009	\$.30	75	021-037	\$1.50	94	105-062	\$55.00	70
010-024	\$24.00	100	022-006	\$3.00	94	105-063	\$16.00	69
010-030	\$27.00	100	022-013	\$8.00	93	105-065	\$125.00	70
010-048	\$.25	75	022-014	\$10.00	93	105-068	\$141.75	70
010-051	\$15.00	70	022-025	\$9.00	93	105-073	\$200.00	70
010-059	\$3.00	96,98	022-055	\$11.00	93	105-074	\$36.00	70
010-060	\$3.50	70	022-056	\$10.50	93	105-078	\$136.50	70
010-061	\$3.15	70	022-061	\$11.50	93	105-092	\$63.00	69
013-007	\$9.75	98	023-008	\$1.80	93	105-120	\$140.00	69
014-006	\$22.00	80	024-001	\$10.00	94	105-126	\$57.00	69
014-007	\$33.00	80	024-002	\$5.75	94	105-127	\$63.00	69
014-012	\$9.00	81	024-003	\$12.75	94	105-130	\$118.00	69
016-001	\$40.00	91,92	024-004	\$5.50	94	105-170	\$70.00	79
016-002	Call for Price	91,92	024-006	\$12.50	94	105-174	\$100.00	79
016-005	\$110.00	66	024-007	\$7.50	94	105-175	\$420.00	72
016-010-5	\$164.00	91	024-008	\$15.50	94	105-177	\$80.00	79
016-010	\$36.00	91	024-015	\$2.00	81	105-186	\$420.00	72
016-014	\$1.00	76	024-018	\$4.50	81	105-250	\$250.00	69
016-020	\$9.50	76	024-019	\$7.50	81	106-203	\$63.00	67
016-023	\$23.10	76	024-020	\$45.00	95	106-205	\$104.00	69
016-031	\$38.00	76	025-001	\$72.00	84	106-223	\$730.00	67
016-032	\$38.00	76	026-001	\$18.00	100	106-300	\$840.00	67
016-209	\$45.00	98	026-002	\$18.00	100	106-306	\$840.00	67
017-028	\$2.00 ea	99	026-003	\$29.50	100	106-309	\$840.00	67
017-030	\$1.00	75	026-020	\$16.00	81	108-007	\$6.50	96
017-125	\$24.00	101	030-001	\$4.40	93	108-016	\$415.00	96
017-126	\$5.00	101	030-002	\$4.40	93	108-017	\$415.00	96
017-127	\$30.00	101	030-003	\$3.70	93	110-004	\$144.00	85
017-150	\$2.00 ea	99	030-004	\$4.75	93	110-007	\$25.00	86
017-301	\$2.00	101	030-014	\$73.00	72	110-009	\$11.00	86
017-302	\$2.00	101	030-025	\$.70	93	110-012	\$12.00	86
017-303	\$2.00	101	030-026	\$6.00	93	110-014	\$4.00	96
017-304	\$2.00	101	030-036	\$1.30	93	110-015	\$24.00	96
017-306	\$2.00	101	101-013	\$165.00	96	110-016	\$250.00	96
017-321	\$4.00	101	103-065	\$27.30	68	110-025	\$10.00	96
017-323	\$3.60	101	105-008	\$18.00	68	110-028	\$180.00	85
017-401	\$2.00	101	105-009	\$19.95	68	110-029	\$215.00	85
017-402	\$2.10	101	105-016	\$42.00	69	110-030	\$.25	86
017-404	\$2.10	101	105-017	\$43.00	68	110-041	\$12.00	86
017-408	\$4.20	101	105-018	\$52.00	69	110-042	\$16.00	86
017-410	\$4.20	74,101	105-026	\$187.00	68	110-046	\$26.00	86
017-411	\$4.50	101	105-027	\$187.00	68	110-051	\$450.00	85
017-413	\$4.20	101	105-028	\$196.00	68	110-052	\$410.00	85
017-413	\$5.25	74	105-029	\$196.00	68	110-062	\$280.00	85
017-601	\$2.00	101	105-034	\$56.00	68	110-066	\$305.00	85
017-602	\$2.00	101	105-039	\$45.00	68	110-067	\$310.00	85
017-603	\$2.00	101	105-040	\$42.00	68	110-068	\$325.00	85
017-604	\$2.00	101	105-042	\$46.00	68	110-101	\$7.00	100
020-022	\$8.50	81	105-043	\$49.00	68	110-104	\$72.00	100
021-023	\$.60	94	105-051	\$52.00	69	110-105	\$7.00	100

INDEX

MODEL	PRICE	PAGE	MODEL	PRICE	PAGE	MODEL	PRICE	PAGE
112-059	\$5.25	74	115-022	\$2.40/ft	89	115-745	\$3.00/ft	90
112-072	\$270.00	99	115-023	\$.25/ft	90	115-746	\$3.70/ft	90
112-169	\$3.15	74	115-024	\$.25/ft	90	115-748	\$6.00/ft	90
112-170	\$5.25	74	115-025	\$.25/ft	90	115-753	\$8.00	89
112-174	\$2.20	74	115-027	\$.25/ft	90	115-755	\$.70/ft	89
112-175	\$4.30	74	115-028	\$.25/ft	90	115-758	\$12.90	88
112-177	\$4.20	74	115-030	\$.25/ft	90	115-759	\$.55/ft	90
112-181	\$3.15	74	115-034	\$.60/ft	90	115-760	\$48.00	91
112-190	\$23.00	73	115-039	\$2.60/ft	90	115-763	\$48.00	91
112-192	\$26.00	73	115-040	\$2.10/ft	90	115-764	\$.70/ft	89
112-193	\$35.00	73	115-041	\$2.40/ft	90	115-771	\$225.00	91
112-262	\$36.00	73	115-042	\$2.50/ft	90	115-773	\$225.00	91
112-263	\$41.00	73	115-045	\$3.00/ft	90	115-783	\$185.00	92
112-280	\$28.00	73	115-046	\$3.70/ft	90	115-792	\$114.00	92
113-019	\$12.50	83	115-048	\$6.00/ft	90	117-009	\$1.50	93
113-020	\$12.50	83	115-050	\$.55/ft	90	117-010	\$1.60	93
113-026	\$22.00	83	115-053	\$8.00	89	117-012	\$12.50	93
113-030	\$4.90	83	115-055	\$.70/ft	89	117-019	\$11.50	93
113-202	\$88.00	82	115-057	\$.25/ft	90	117-031	\$23.00	100
113-228	\$.50	83	115-059	\$.55/ft	90	117-033	\$1.00	94
113-230	\$14.25	83	115-060	\$48.00	91	117-034	\$1.60	94
113-231	\$4.00	83	115-063	\$48.00	91	117-036	\$2.50	94
113-234	\$4.40	83	115-064	\$.70/ft	89	117-055	\$8.00	94
113-237	\$45.00	83	115-065	\$.55/ft	90	117-056	\$10.50	76
113-242	\$7.50	81	115-067	\$.55/ft	90	119-000	\$20.50	95
113-247	\$400.00	83	115-080	\$86.00	91,92	119-003	\$2.00	95
113-328	\$4.80	83	115-092	\$114.00	92	119-004	\$2.40	95
113-400	\$72.00	82	115-103	\$225.00	92	119-005	\$2.40	95
113-401	\$4.40	83	115-108	\$1.00/f	89	119-008	\$22.50	95
113-403	\$22.00	83	115-109	\$1.20/ft	88	119-015	\$9.00	81
113-505	\$84.00	82	115-111	\$266.00	91	119-020	\$24.00	95
113-508	\$82.00	82	115-113	\$266.00	91	119-021	\$29.00	95
113-510	\$84.00	82	115-119	\$11.00	89	119-022	\$80.00	95
113-513	\$82.00	82	115-158	\$12.90	88	119-027	\$27.50	76
114-015	\$2.30	88	115-171	\$225.00	91	119-028	\$8.00	76
114-025	\$12.50	88	115-173	\$225.00	91	120-000	\$17.50	80
114-026	\$14.50	88	115-183	\$185.00	92	120-005	\$20.50	80
114-035	\$13.50	88	115-703	\$225.00	92	120-015	\$17.50	80
114-036	\$16.50	88	115-708	\$1.00/ft	89	120-018	\$20.50	80
114-050	\$1,198.00	66	115-709	\$1.20/ft	88	121-000	\$17.50	80
114-051	\$160.00	66	115-711	\$266.00	91	121-002	\$6.00	80
114-125	\$25.00	88	115-712	\$150.00	91	122-031	\$9.00	78
114-129	\$22.00	88	115-713	\$266.00	91	122-044	\$9.00	78
114-135	\$24.00	88	115-714	\$150.00	91	122-049	\$26.00	78
114-139	\$21.00	88	115-717	\$2.00/ft	90	122-055	\$36.00	77
114-725	\$25.00	88	115-719	\$11.00	89	122-056	\$36.00	77
114-729	\$22.00	88	115-720	\$.70/ft	89	122-060	\$45.00	77
114-735	\$24.00	88	115-726	\$2.40/ft	89	122-061	\$45.00	77
114-739	\$21.00	88	115-732	\$1.80/ft	89	122-100	\$28.00	77
115-012	\$150.00	91	115-734	\$.60/ft	90	123-000	\$28.00	81
115-014	\$150.00	91	115-739	\$2.60/ft	90	123-002	\$21.00	80
115-016	\$1.30/ft	89	115-740	\$2.10/ft	90	123-003	\$21.00	80
115-017	\$2.00/ft	90	115-741	\$2.40/ft	90	125-016	\$2.20	79
115-020	\$.70/ft	89	115-742	\$2.50/ft	90	125-030	\$110.00	79
115-021	\$1.80/ft	89	115-744	\$2.70/ft	90	125-040	\$145.00	79

MODEL	PRICE	PAGE	MODEL	PRICE	PAGE	MODEL	PRICE	PAGE
125-044	\$2.50	79	144-046	\$420.00	84	CLX-013	\$180.00	97
125-050	\$170.00	79	144-047	\$180.00	84	CLX-014	\$20.00	97
125-116	\$3.50	79	146-000	\$290.00	98	CLX-015	\$200.00	97
126-000	\$72.00	87	146-001	\$68.00	98	CLX-016	\$20.00	97
126-008	\$70.00	87	146-005	\$25.00	98	CLX-017	\$48.00	97
126-025	\$15.00	87	146-015	\$190.00	98	CLX-018	\$160.00	97
126-133	\$153.00	87	146-102	\$262.50	99	CLX-020	\$20.00	97
126-153	\$166.00	87	146-116	\$252.00	99	CLX-030	\$80.00	97
126-160	\$152.00	87	146-202	\$110.00	98	CLX-110	\$1,060.00	64
126-164	\$4.00	87	146-203	\$130.00	98	Columbia Package	\$12,442.00	8
126-203	\$200.00	87	146-205	\$21.00	98	D		
127-010-A	\$120.00	84	146-206	\$140.00	98	DR-96	\$444.00	64
127-010-W	\$120.00	84	146-208	\$21.00	98	E		
127-011	\$255.00	84	146-209	\$120.00	98	Evergreen Package	\$12,325.00	7
128-010	\$16.50	84	146-211	\$2.00	98	Evolution Chair	\$7,000.00	12
128-017	\$28.00	80	146-212	\$140.00	98	H		
128-018	\$23.00	80				Helix Package	\$12,690.00	5
131-025	\$198.00	71	EQUIPMENT			M		
131-026	\$220.00	71	A			Mckenzie Package	\$13,020.00	11
131-027	\$250.00	71	A-050	\$230.00	54	Mt. Hood Package	\$12,790.00	10
131-030	\$23.00	75	A-100	\$465.00	54	N		
131-034	\$21.00	76	A-101	\$272.00	54	Northwest Package	\$12,070.00	6
131-035	\$25.00	75	A-200	\$525.00	52	P		
131-036	\$35.00	75	A-202	\$560.00	52	PM-200	\$680.00	56
131-038	\$2.65	74	A-2100	\$1,750.00	44	PM-220	\$770.00	56
131-039	\$2.65	74	A-2150	\$2,150.00	44	PM-400	\$1,010.00	56
131-045	\$440.00	72	A-220	\$590.00	50	R		
131-052	\$7.75	75	A-222	\$630.00	50	RD-3000	\$2,520.00	34
131-053	\$8.80	75	A-230	\$630.00	26	RD-3001	\$2,420.00	34
131-070	\$70.00	75	A-2500	\$1,850.00	22	RD-4250	\$5,350.00	36
131-071	\$75.00	75	A-250	\$700.00	26	RD-4251	\$3,825.00	36
132-008	\$5.50	99	A-3000	\$2,500.00	22	S		
132-110	\$96.00	99	A-300	\$1,240.00	48	S-3300	\$3,000.00	16
132-114	\$80.00	99	A-400	\$920.00	50	S-3306	\$3,000.00	16
141-002	\$4.00	78	A-4100	\$2,240.00	42	S-330	\$1,380.00	48
141-005	\$4.50	78	A-4150	\$2,640.00	42	S-3410	\$2,100.00	20
141-006	\$7.50	78	A-4500	\$1,020.00	46	S-3415	\$2,200.00	20
141-016	\$4.00	78	A-4550	\$1,390.00	46	S-3500	\$3,050.00	14
141-017	\$3.50	79	A-5000	\$620.00	60	S-3506	\$3,050.00	14
141-023	\$16.00	78	A-5032	\$626.00	60	S-4100	\$2,120.00	38
141-034	\$21.00	79	A-5124	\$606.00	60	S-4150	\$2,360.00	38
141-035	\$23.00	79	A-5132	\$612.00	60	S-4250	\$3,450.00	40
141-037	\$20.00	78	A-5150	\$690.00	30	S-5325	\$1,485.00	24
141-038	\$7.50	78	A-5200	\$793.00	60	S-5325	\$1,585.00	24
141-050	\$14.00	79	A-5221	\$696.50	60	S-6300	\$3,380.00	18
141-051	\$16.00	79	A-5222	\$746.50	60	S-6307	\$3,380.00	18
141-052	\$18.50	79	A-5230	\$850.00	62	SC-4200	\$1,750.00	30
141-053	\$20.00	79	A-5524	\$900.00	62	SC-4250	\$2,340.00	30
141-054	\$25.00	79	AT-96	\$444.00	64	SD-3302	\$2,980.00	32
141-061	\$33.00	78	C			Sierra Package	\$12,670.00	9
141-100	\$14.00	77	C-3200	\$900.00	58	SO-3304	\$1,820.00	28
144-015	\$90.00	84	C-3250	\$1,242.00	58	SO-3354	\$2,000.00	28
144-018	\$350.00	84	CLX-010	\$60.00	97			
144-020	\$230.00	84	CLX-011	\$22.00	97			
144-027	\$260.00	84	CLX-012	\$32.00	97			

U PHOLSTERY COLOR SELECTION GUIDE



ACTIVE BACTERIAL RESISTANCE TO THE FOLLOWING BACTERIA

- Bacillus cereus
- Proteus vulgaris
- Basillus mycoides
- Pseudomonas aeruginose
- Bacillus subtilis
- Salmonella Choleraesuis
- Enterococcus faecalis
- Salmonella typhimurium
- Escherichia coli
- Staphylococcus aureus
- Klebsiella pneumoniae

PreFixx® Protective Finish

- Outstanding stain resistance and cleanability - most stains wash off easily with mild cleanser.
- Abrasion Resistance - easily passes 400,000 cycles Wyzenbeek test using #8 cotton duck.
- Abrasion Resistance - easily passes 60,000 cycles Wyzenbeek test using steel wire screen.
- Resistant to common scuffing and burnishing.
- Eliminates blocking and prevents premature aging.
- Sulfide Stain Resistant, Urine Stain Resistant
- Oil Resistant
- Mildew Resistant
- Superior Disinfectant Resistance - Superior resistance to staining by vinyl upholstery fabric germicides (including a one-in-ten solution of household bleach).

Designed to meet the following flammability specifications

- Federal Specification CID-A-A-2950 dated 10/10/95 (supersedes Federal Specification CCC-A 680A).
- Boxton 1X-1
- New York Port Authority Code Requirements dated 1/92.
- NFPA Code 701 (Small Scale) Life Safety Code Standards dated 1977
- FMVSS-302
- Designed to meet FAA-FAR25.853 (a) and appendix F Part 1 (a) (1) (ii) per 1993 Publication.
- California Flammability Regulation 117-75. Sec. E.

Printed colors may vary from actual material. Orders for upholstery are noncancelable

U PHOLSTERY COLOR SELECTION GUIDE

Nauga Soft

NAUGAHYDE®
BRAND FABRIC



Printed colors may vary from actual material. Orders for upholstery are noncancelable

Beaverstate Dental, Inc.

115 S. Elliott Rd.

Newberg, OR 97132

1-800-237-2303

503-538-8756 phone

503-538-2845 fax

WWW.BEAVERSTATEDENTAL.COM